

CamPerform CP70-1HS-M/C-1900 CoaXPress Camera



User Manual

Ref. 1872-SU-01-B

Contents

Revision	3
General	4
Declaration of conformity	4
RoHS compliance	4
Scope of delivery	5
Optronis customer service	5
Remark, Attention	6
Precautions	6
Camera Power	6
Environmental Conditions	6
General Precautions	7
Camera	8
Electrical Interface	9
Auxiliary (Aux.) connector pinout	10
Camera Power	12
Indicator Lamp (LED)	13
CoaxPress Data Channels	13
Lens mount and handling	14
Nikon F-Mount adapter	14
C-Mount adapter	16
Important features	16
Frame format	16
Minimum Frame rate (@ internal synchronisation)	16
Maximum Frame rate (@ internal synchronisation)	17
Max. Frame Rate Examples (8bit):	17
Calculation of Exposure Time in 8 bits mode	17
Frame Rate (@ external synchronisation)	18
Technical Data	19
General	19
Spectral Response / Transmittance	20
Mechanical Dimensions	21
F-Mount Lens (/FM)	21
Synchronisation Input schematics	23
Synchronisation Output schematics	23
Internal Synchronisation Timing	24
Synchronisation Output	24
External Synchronisation Timing	25
Synchronisation Input “level detection”	25
Synchronisation Output “level detection”	25
Camera firmware update	26
Camera mapping	28
Gen<i>Cam	32

Revision

Firmware	Date	Description
v.1.0.A	June 17	

General

Declaration of conformity

Manufacturer: Optronis GmbH
Address: Ludwigstr. 2, 77694 Kehl, Germany

We certify and declare under our sole responsibility that the following apparatus

Product: CP70-1HS-M-1900
CP70-1HS-C-1900

are conform with the essential requirements of the EMC Directive 2014/30/EU, based on the following specifications applied:

Specifications : EN 61000-6-3 Emission
 EN 61000-6-1 Immunity

Kehl, 18.08.2016

Optronis GmbH
Dr. Patrick Summ
Managing Director

RoHS compliance



CamPerform CP70-1HS-M/C-1900 cameras are Pb free manufactured.

Scope of delivery

CP70-1HS-M/C-1900 CoaXPress camera

Options: /C: Color sensor (Bayer Pattern)
 (IR Cut-off Filter, Specification: 1830-SS-10)
 /M: Monochrome sensor

Lens mount: /CM: CMount
 /FM: FMount
 /FMG: FMount for Nikon G-Lens series

CoaXPress: 6,25Gbit/channel, 4 channels

Synchronisation Adapter cable

Programming cable (USB2) for firmware update (Option)

User Manual (CD-ROM)

Optronis customer service

Optronis GmbH
Ludwigstr. 2
77694 Kehl
Germany
Tel: +49 (0) 7851 9126 0
Fax: +49 (0) 7851 9126 10
E-mail: info@optronis.com

For any questions or problems, please do not hesitate to ask our customer service. Please prepare the following information:

- Camera type: CP70-1HS-M-1900 or CP70-1HS-C-1900
- Serial-Number: see label at the bottom side of the camera
- Frame Grabber (and Firmware Version of the frame-grabber)
- Operating System (Windows XP/Vista/7/8/10/32bit/64bit ...)
- Short description of the problem

Remark, Attention

This user manual is compliant with the firmware version v.1.0.A of the camera.
The following signs are used in the user manual



Remarks and additional information



Attention

Precautions

Camera Power

Please use Power over CoaxPress or as an option the CP70-1HS-M/C-1900 camera power supply (not included in shipment).

Environmental Conditions

Temperature range during operation: < + 40°C (ambient temperature)
> 0°C (ambient temperature)

Humidity during operation < 80% non-condensed



At high ambient or housing temperatures, the camera lifetime will be reduced. Avoid camera operation beyond temperature limits. Please ensure, that the housing temperature will be kept as low as possible by additional heatsinks.

General Precautions

Read the user manual carefully before using the camera.

Do not orientate the optical input of the camera to direct sunlight.

Keep the camera free protected from dirt, dust, grease and water.

Make sure that all the connecting cables are in good condition. Defective cables have to be replaced.

Always unplug the camera before cleaning it. Do not use cleaning liquids or sprays. Instead, use a dry and soft duster.



There are no serviceable parts inside the camera. Do not open the housing of the camera.

Warranty becomes void if the camera housing is opened.

Camera



- | | |
|-------------------------------------|---|
| 1: Camera housing | 2: Mounting holes 2x M4x6mm 1x ¼ ``x6mm |
| 3: Lens mount (Nikon-F) | 4: lens (Nikon-F compatible, Option) |
| 5: electrical interface (back side) | 6: Mounting holes 4x M4x6mm |



1: CoaxPress Channels
3: Auxiliary Connector

2: Power Connector
4: Indicator Lamp (LED)

Electrical Interface



Camera (Aux.) connector type:
Cable Connector:

Hirose HR10A-7R-6S
Hirose HR10A-7P-6P

Auxiliary (Aux.) connector pinout

Auxiliary (Aux.) connector pinout		
Pin Nr.	Description	
1	Sync. In	External Synchronisation Input TTL level: <0,8Volt (low) > 2 Volt (high)
2	reserved	-
3	Sync. Out	External Synchronisation Output (TTL level @ high impedance, 0 to 2 Volt @ 50 Ohms)
4+5+6	GND	Sync. Ground



To operate SyncIn correctly, a SyncIn driver circuit has to be used.

Minimum Sink Current (TTL Low Level) of the SyncIn Driver has to be 5mA. At 5mA Sink Current the input level at the SyncIn camera input drops below 0,8Volts.

Source Current (TTL High Level) of the SyncIn Driver is negligible (0mA)

Easiest driver circuit is a Transistor working in open collector configuration.



SyncIn input voltage limit ranges from – 5 Volts to + 30 Volts. Voltages applied beyond these limits may damage the SyncIn Input.



SyncOut has a built in 50 Ohm driver.

At 50 Ohm termination, the driver voltage is in between 0 (low level) to ~2 Volts (high level). At high impedance termination, the driver voltage is in between 0 (low level) to ~4 Volts (high level).



SyncOut voltage limit ranges from 0 Volt to + 5 Volts. Voltages applied beyond these limits may damage the SyncOut Output.



The Auxiliary connector may also be used to update the firmware of the camera. Please use the USB2 programming adapter cable.

Camera Power



Figure: CP70-1HS-M/C-1900 back view

Camera (Pwr.) connector type: Hirose HR10A-7R-4S

Cable Connector: Hirose HR10A-7P-4P

Power (Pwr.) connector pinout		
Pin Nr.	Description	
1+2	VCC	DC Power +24Volt +/-5% (Ripple < 200mV) Inrush Current ~0,6A
3+4	GND	Power Ground



Alternatively, Power over CoaXPress(PoCXP) should be used.

Indicator Lamp (LED)

State	Indication
No power	Off
System booting	Solid orange
Powered, but nothing connected (only for power over power connector)	Slow pulse red
Link detection in progress, PoCXP active	Fast flash green
Link detection in progress, PoCXP not in use	Fast flash orange
Camera / Grabber incompatible, PoCXP active	Slow flash alternate red / green
Camera / Grabber incompatible, PoCXP not in use	Slow flash alternate red / orange
Camera connected, but no data being transferred	Slow pulse green
Camera connected, waiting for event (e.g. trigger, exposure pulse)	Slow pulse orange
Camera connected, transferring frames	Solid green
Error during data transfer	500ms red pulse
System error	Fast flash red



Camera is in calibration mode, when all LEDs are flashing slowly.

CoaxPress Data Channels

To operate the camera, all 4 CoaXPress Channels (Labelling: BNC 4x) have to be used. Channel 1 is Master link. Channel 2, Channel 3 and Channel 4 are Extension links. Channel 1 uses Power over CoaxPress (PoCXP). Speeds of the Downlink are 6,25Gbit/s.

Lens mount and handling

Nikon F-Mount adapter

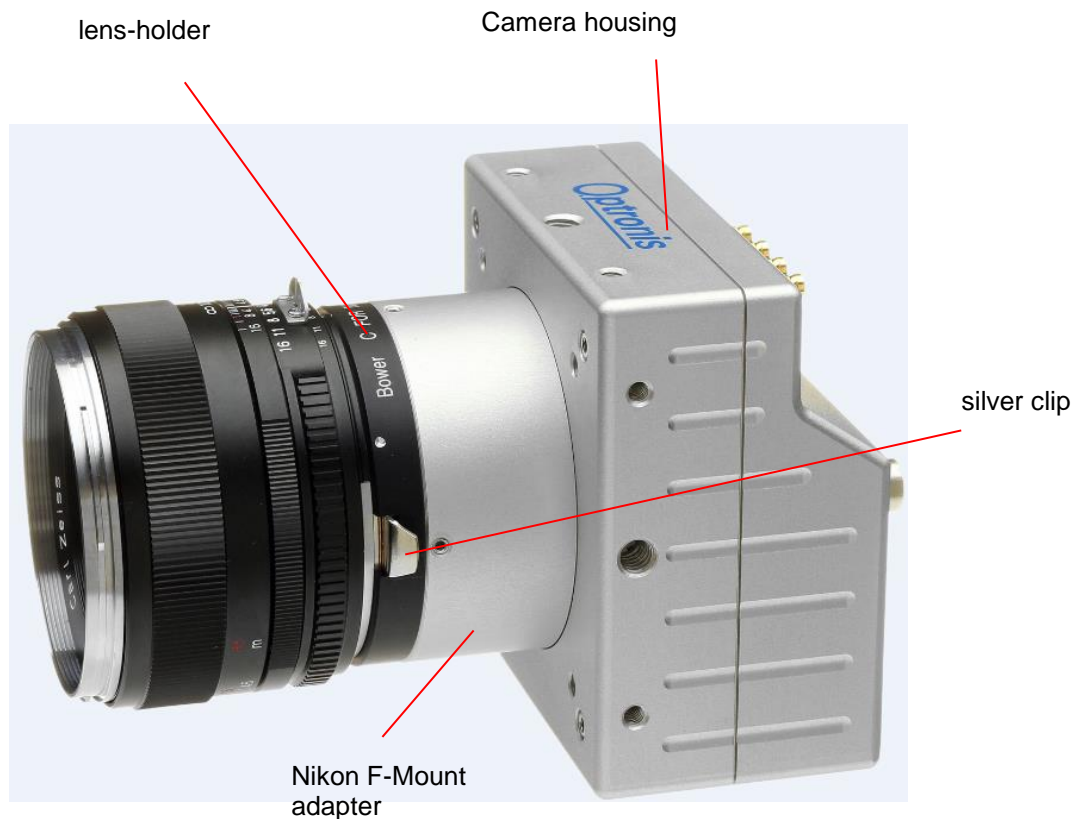
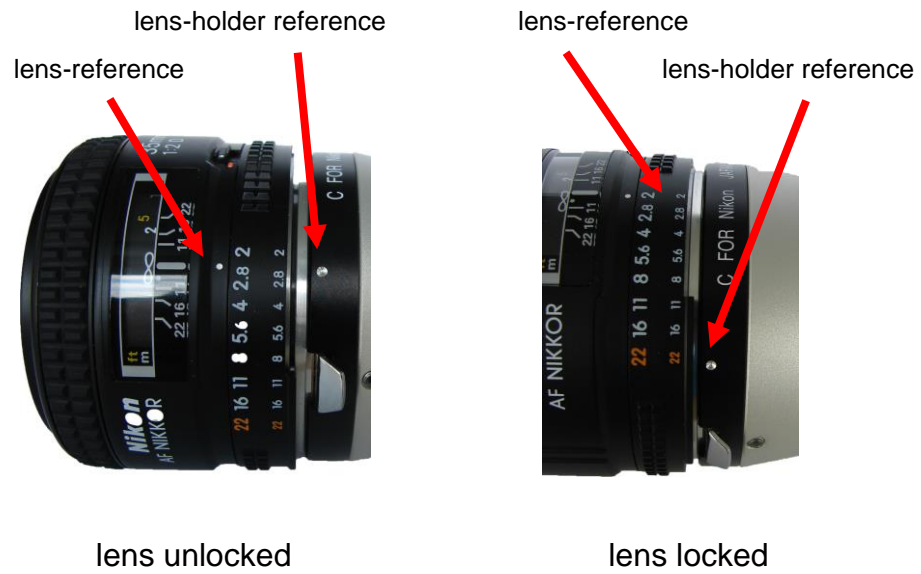


Figure: Camera with Nikon F-Mount adapter

To mount the lens, it has to be positioned on the lens-holder in a way, that the back surface of the lens is completely attached to the surface of the lens-holder.

The lens-reference has to be positioned in face to the lens-holder reference as shown in the figure below. Then, the lens has to be turned anti-clockwise until the silver clip on the lens-holder locks.



To unmount the lens, pull back first the silver clip in order to unlock the lens as shown below. Then (the silver clip has still to be pulled back) turn the lens clockwise until the lens is unmounted completely.



C-Mount adapter

To mount the C-Mount lens, unscrew the protective cover anti-clockwise and mount the C-Mount lens into the lens holder.

To unmount the lens, unscrew the C-Mount lens anti-clockwise.

Important features

The CamPerform CP70-1HS-M/C-1900 CoaXPress cameras are high frame rate CMOS area scan camera that are designed for industrial use. The image sensor and the camera offer exceptional high performance:

- excellent image quality
- excellent sensitivity
- low noise
- monochrome and color
- internal and external synchronisation

Frame format

The Frame format (frame resolution) of the camera is 1280 active Pixels in horizontal (x) direction and 860 active Pixels in vertical (y) direction at full resolution. The frame format can be reduced by factor of 256 Pixel in horizontal direction and factor of 4 Pixel in vertical direction.

Minimum Frame rate (@ internal synchronisation)

Minimum frame rate is limited to 20 fps in free run mode.

Maximum Frame rate (@ internal synchronisation)

Max. Frame Rate Examples (8bit):

CoaXPress labelling	Pixel resolution x (Pixel)	Pixel resolution y (Pixel)	Max. Frame Rate (fps)
CXP6, BNC 4x	1280	860	1981
CXP6, BNC 4x	640	480	6168
CXP6, BNC 4x	256	256	11175

(Max. Frame Rate values are rounded values)

Calculation of Exposure Time in 8 bits mode

Exposure Time Max. = $1/\text{Framerate} - 4 \text{ us}$

Min. Exposure Time: 2 usec

Frame Rate (@ external synchronisation)

For external synchronisation please apply a TTL signal to the SyncIn and Sync Out BNC adapter of the adapter cable (scope of delivery). External synchronisation may be operated in level detection mode. Please see the external synchronisation timing for more information about resulting frame rates and exposure times.

Alternatively, SyncIn can be applied directly between Pin 1 and Pin 3 on the camera power (Pwr.) connector, Sync Out between Pin 4 and Pin 3. The synchronisation output can be used to synchronise other devices as e.g. additional cameras or external light flashes.



The External synchronisation frame rate range can reach any value between 20 fps and maximum Frame Rate @ internal synchronisation.

Technical Data

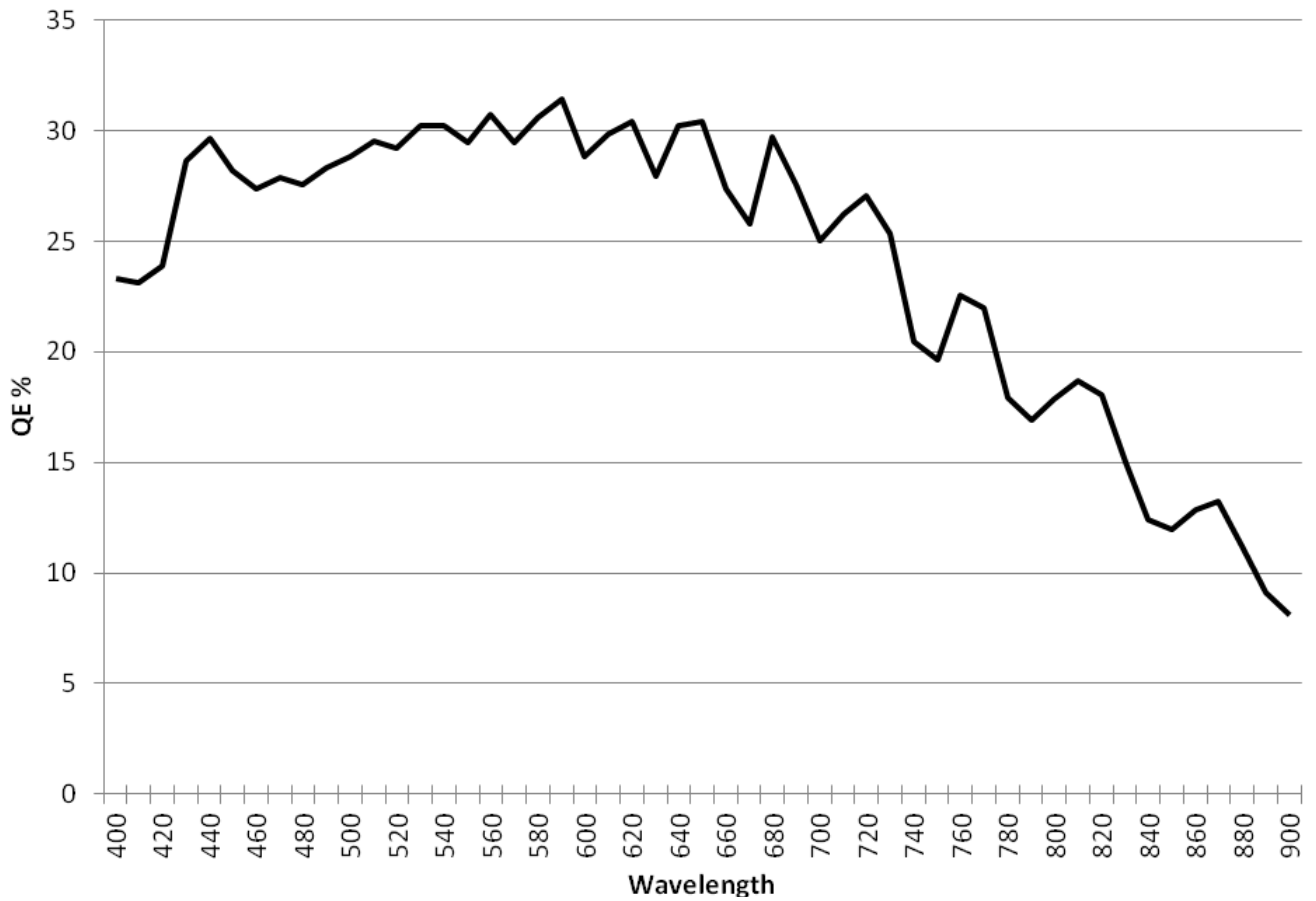
General

Power Source	PoCXP Alternatively: + 24 Volt +/- 5% DC < 200mV ripple
Power	approx. 11 Watt
Pixel Number	1280x860
Pixel size	13,7 µm x 13,7 µm
Active area	17,536 mm x 11,782 mm
Sensor responsivity	25 Volt/lux.s @550nm
Shutter	Global
Minimum Ambient Temperature	0 °C
Maximum Housing Temperature	+ 40 °C ambient temperature !!! avoid high temperature at camera housing. Please add additional heatsinks at high temperatures !!!
Humidity	< 80% relative, non-condensed
Interface	CoaXPress BNC 4x CXP6
Uplink	Over CoaXPress
Video interface	CoaxPress
Size	85 mm x 85 mm x 84,5 mm (F-Mount)
Weight	approx. 470 g without lens mount

Spectral Response / Transmittance

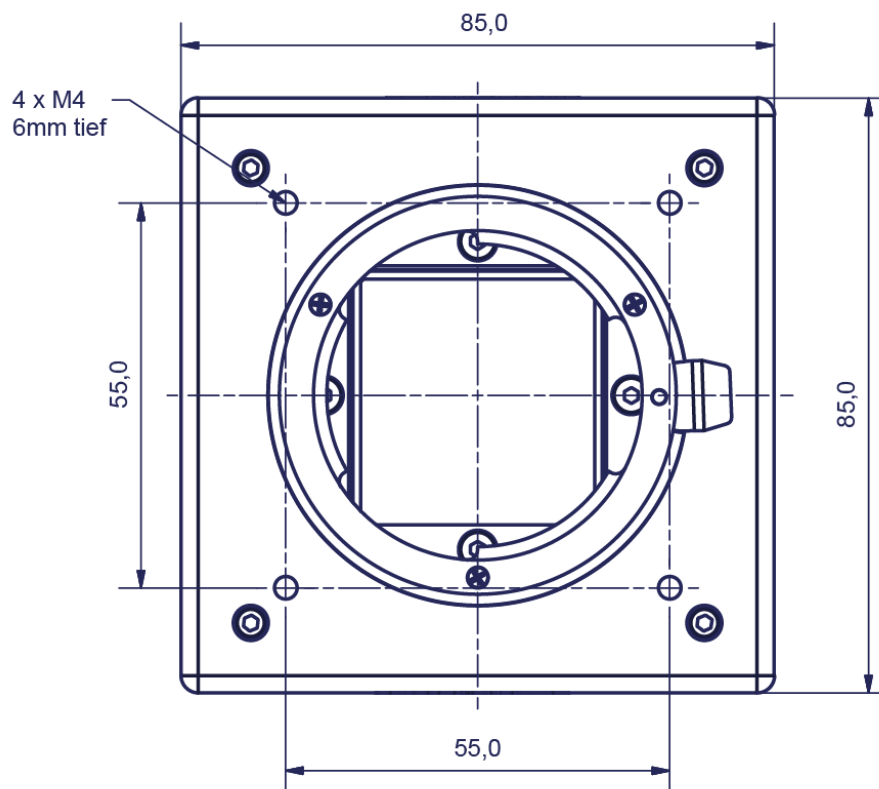
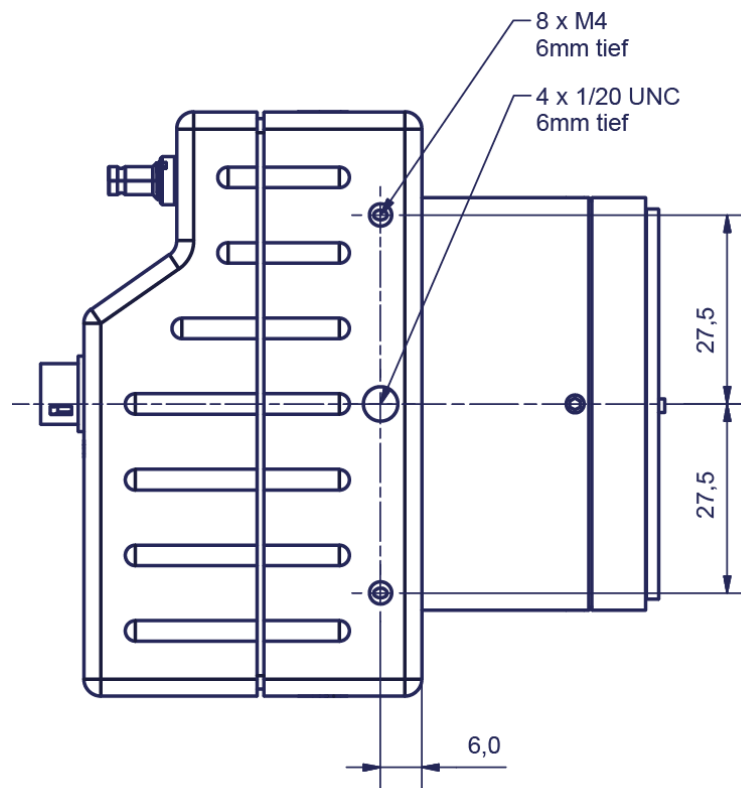
Spectral response (Monochrome Sensor)

QE% LUX13HS Mono



Mechanical Dimensions

F-Mount Lens (/FM)



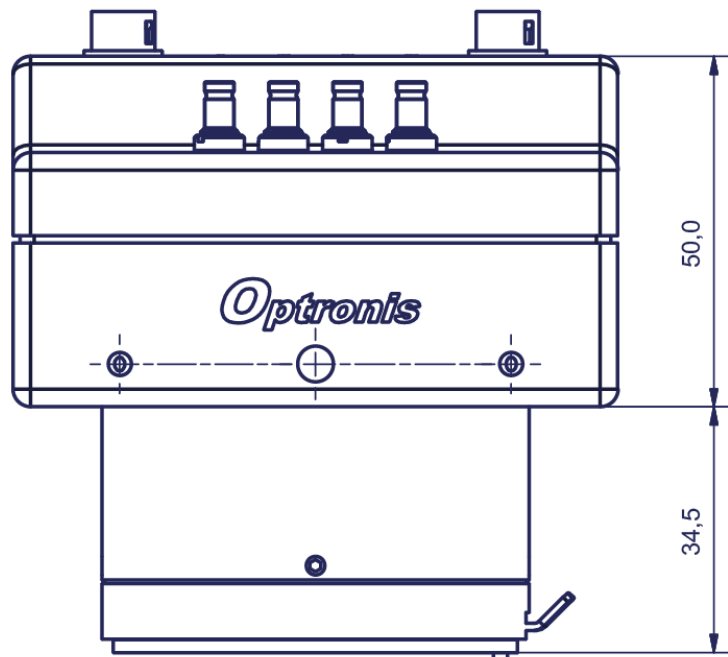
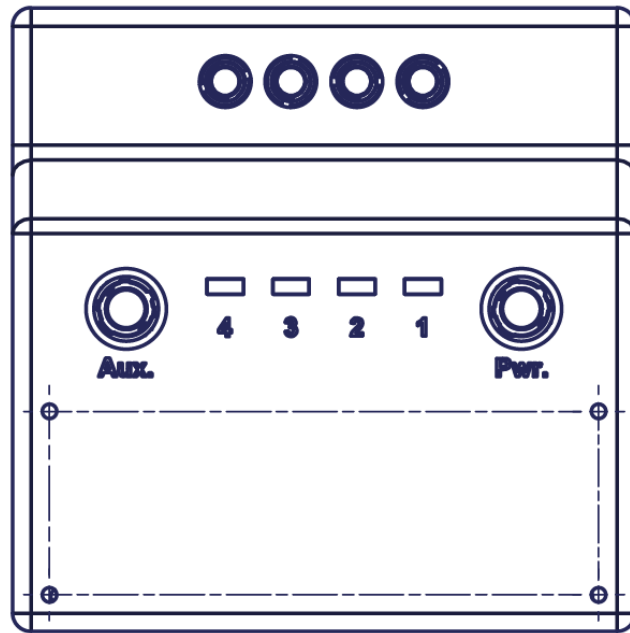


Figure: Side View (all dimensions in mm)

Screw threads in socket:

M4 min. 6 mm depth

1 x ¼ `` min. 6 mm depth (in the middle)

Synchronisation Input schematics

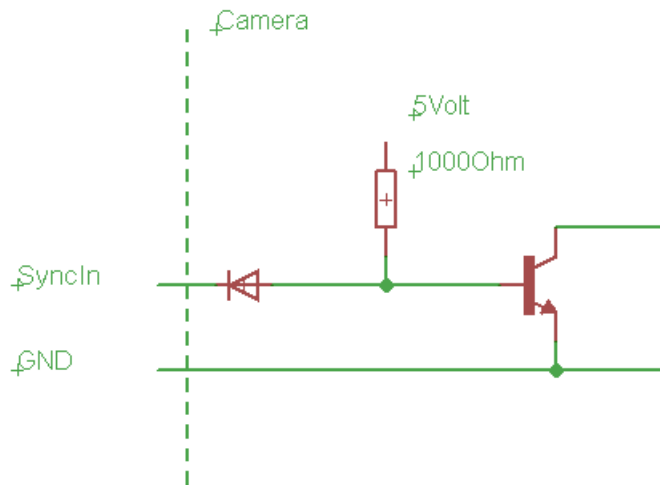


Figure: SyncIn Schematics (for illustration only)

Synchronisation Output schematics

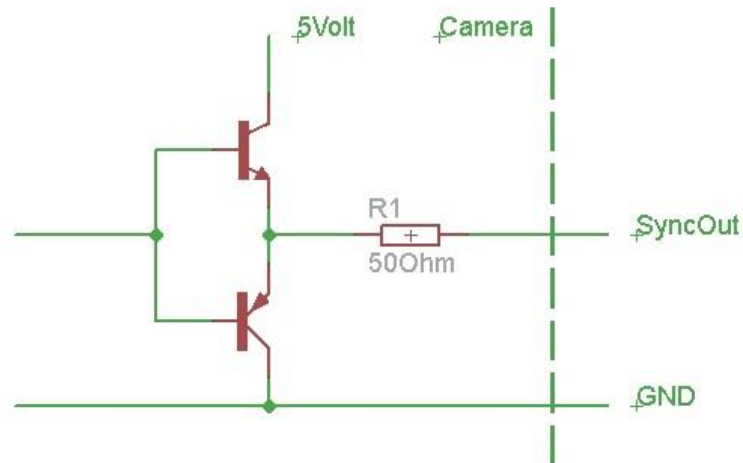
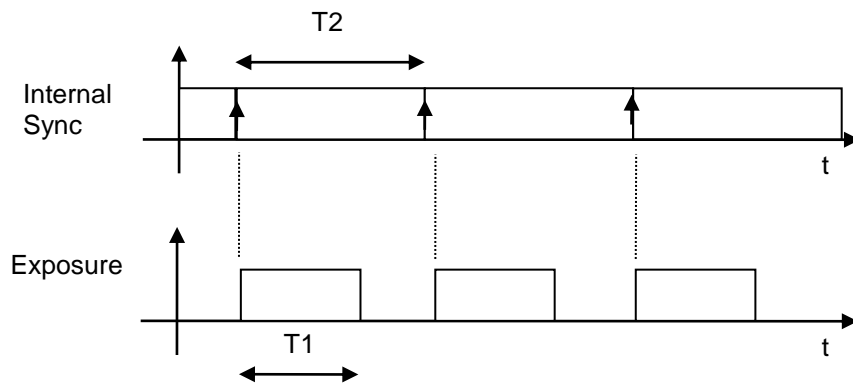


Figure: SyncOut Schematics (for illustration only)

Internal Synchronisation Timing



T1: Exposure time, selected by software

T2: Frame Interval (1/Frame Rate), selected by software

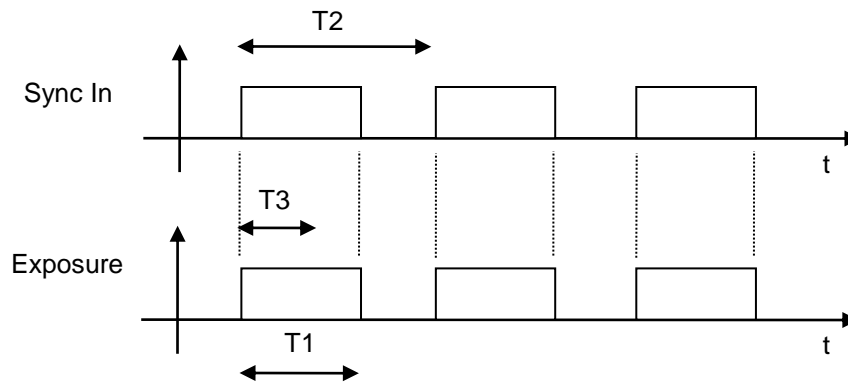
Synchronisation Output

Logic 1 during Exposure Time (T1)

External Synchronisation Timing

Synchronisation Input “level detection”

positive level:



Sync In rising level to Exposure Delay: ~ 2.4usec +/- 1000 nsec typical

T1: Exposure time

T2: 1/Frame Rate

T3: 1/Maximum Frame Rate (limited by readout of the sensor)
depends on frame format

1/T2 has to be larger than 20 fps

Synchronisation Output “level detection”

Logic 1 during Exposure Time (T1)

Camera firmware update

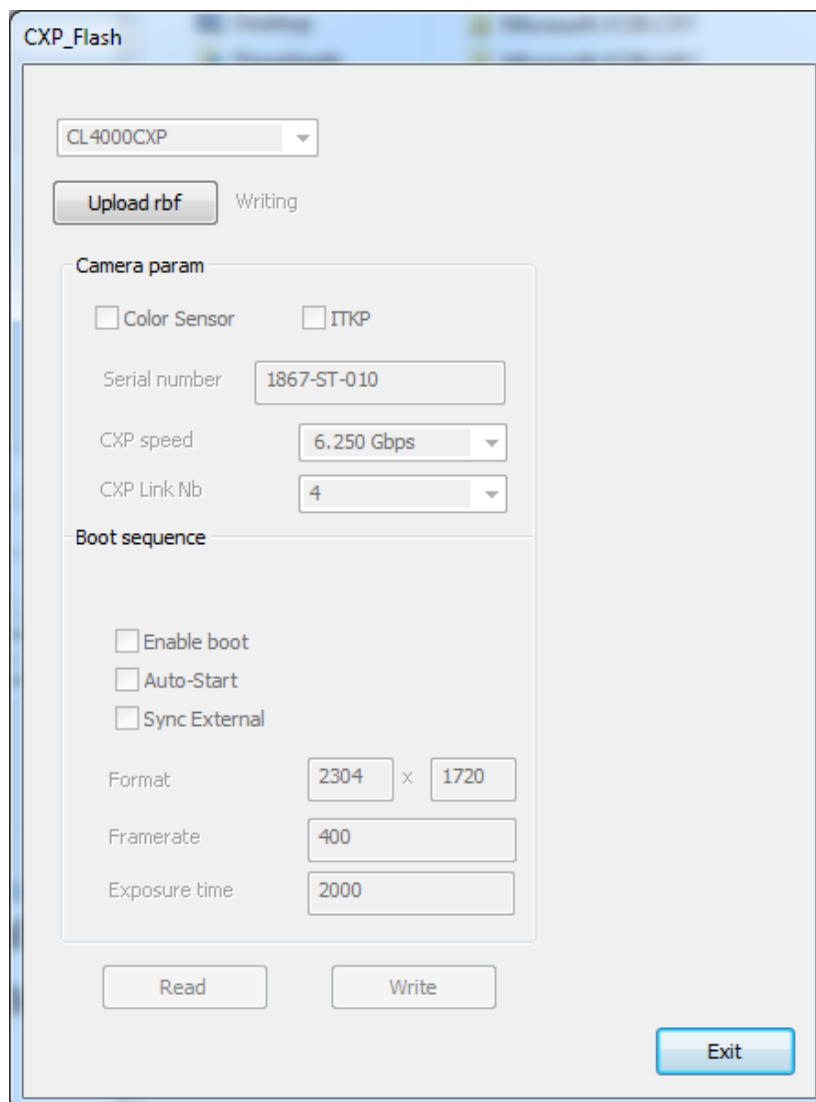
Camera firmware update is available through the USB programming cable and the UCXP_Flash software (located in the CXPFlash_Setup folder) delivered with the camera.

Please go through the following steps:

- 1) Switch OFF camera
- 2) Connect USB cable to PC and camera Aux. input.
- 3) Install USB driver on PC if it is not already done.

To install USB driver, launch USB_Setup.exe (located in the CXPFlash_Setup folder) and then Reboot PC.

- 4) Switch ON camera
- 5) Launch UCXP_Flash.exe



Click on "Upload rbf" and select the file cxp1xxx.rbf.

Wait until finished.

6) Click on Exit.

7) Switch OFF camera and switch ON camera.

Camera mapping

This part is an extract of the GenICam xml file.

DeviceVendorName

Name of the manufacturer of the device.

DeviceModelName

This feature provides the model of the device

DeviceManufacturerInfo

This feature provides extended manufacturer information about the device

DeviceVersion

This feature provides the version of the device

DeviceFirmwareVersion

Version of the firmware in the device

DeviceID

This feature stores a camera identifier

DeviceReset

Resets the device to its power up state. Write 0x1 to reset the device.

WidthMax

Maximum width (in pixels) of the image

Width

This feature represents the actual image width expelled by the camera (in pixels).

HeightMax

Maximum height (in pixels) of the image

Height

This feature represents the actual image height expelled by the camera (in pixels).

OffsetX

Horizontal offset from the origin to the area of interest (in pixels)

OffsetY

Vertical offset from the origin to the area of interest (in pixels)

PixelFormat

This feature indicates the format of the pixel to use during the acquisition

AcquisitionMode

This feature controls the acquisition mode of the device

AcquisitionStart

This feature starts the Acquisition of the device

AcquisitionFrameRate

Frame rate in Hz

AcquisitionFrameRateMax

Maximum frame rate in Hz

ExposureTime

Sets the Exposure time (in microseconds)

ExposureTimeMax

Maximum Exposure time (in microseconds)

Gain

x1,x2,x4

AOffset

Analog Offset

SubSampling

Activates horizontal subsampling

SubSamplingEvenFirst

If set to 'Yes', only even pixels are sent if SubSampling mode is activated

SubSamplingWidth

Frame width used for the subsampling. For example, to transfer every 2 pixels for a 1024 pixels width frame, you will get a 512 pixels width frame. Parameter 'Width' is automatically updated.

ColorSensor

Has camera a color sensor.

Return 0x1 for a color sensor and 0x0 for a monochrome sensor

AddCounterInformation

When set to 'Yes', counter information is integrated in the first pixels of every transferred frame:

- 16 first bits contain an image counter (incrementing with every frame transferred)
- 24 next bits contain a micro-second precision counter that indicates the time when exposure has started.

When set to 'No', no information is integrated in the transferred frames.

FactoryFlash

When called, factory settings are restored to flash and at the next camera boot.

SaveToFlashWithRebootAndWithoutAutoStart

When called, camera saves its current parameters to flash. These parameters are restored at next camera boot.

SaveToFlashWithRebootAndWithAutoStart

When called, camera saves its current parameters to flash. These parameters are restored at next camera boot. And the camera starts transferring frames automatically.

Gen<i>Cam

Optronis ships together with the CP70-1-M/C-1000 camera a XML file that is Gen<i>Cam compatible. The XML file follows the SNFC (Standard Features Naming Convention).

Please ask, if needed, the Optronis customer service for the availability of this XML file.