

Optronis

Make time visible

CamRecord

CR3000x2



HIGH-SPEED VIDEO CAMERA

**Compact and light sensitive
High-Speed camera**

- > **543 fps with 1696 x 1710 Pixel**
- > **5.000 fps with 480 x 480 Pixel**
- > **more than 100.000 fps**
- > **Very compact housing**
- > **Very high light sensitivity**
- > **Gigabit Ethernet Interface**
- > **Monochrome or color sensor**
- > **8 or 16 GigaByte internal ring memory**
- > **User friendly TimeViewer analysis software**

www.optronis.com

CamRecord CR3000x2

To capture movement does not mean to lose dynamics

Performance (Examples)

	Resolution (hor. x ver.)	Framerate (maximum)	Recording Time (16GB, max. Framerate)
volle Sensor- auflösung	1696 x 1710	543 bps	10,9 Sek.
S-VGA	1280 x 1024	1.140 bps	11,4 Sek.
HD720p	1280 x 720	1.618 bps	11,5 Sek.
S-VGA	800 x 600	2.958 bps	12,0 Sek.
PAL-D	768 x 576	3.076 bps	12,6 Sek.
VGA	640 x 480	4.237 bps	13,1 Sek.
HVGA	480 x 320	8.130 bps	13,7 Sek.
QVGA	320 x 240	13.157 bps	16,9 Sek.
SQCIF	128 x 96	33.333 bps	20,9 Sek.
fastest	8 x 8	142.857 bps	35,4 Sek.

Connector Pin Assignment

4-pin LEMO FGG0B304CLAD52Z

Pin 1	Sync IN	Pin 3	GND
Pin 2	Trig IN	Pin 4	Sync OUT

Optional Accessories

LabView driver (Part number: CR-LabView)

Software development kit (Part number: CR-SDK)

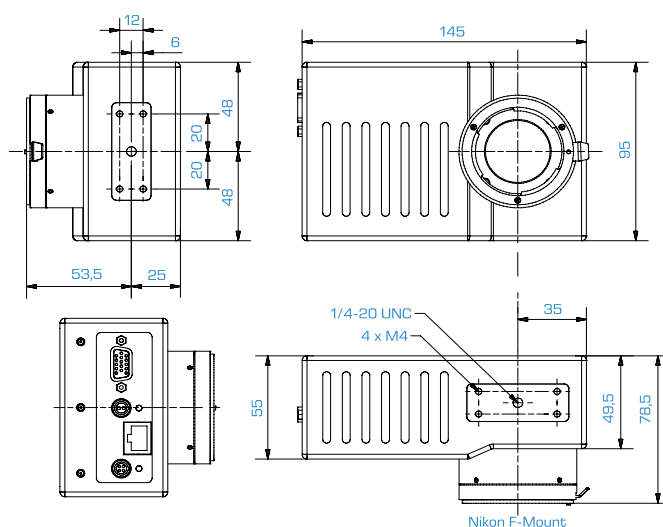
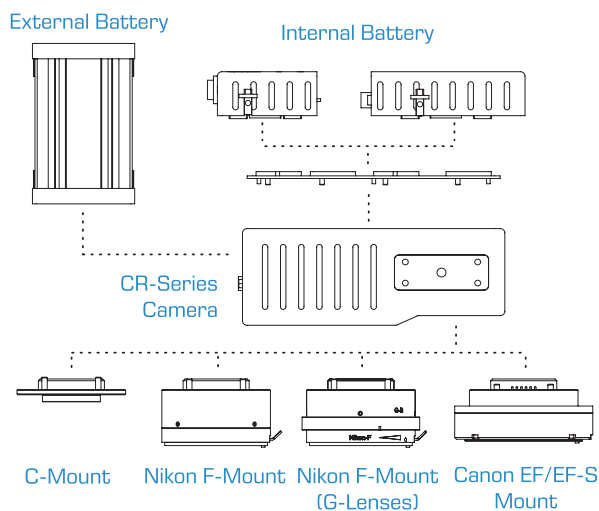
Lenses, lights, tripods, trigger switches and more accessories on request.

Model Overview

CR3000x2 /options	Description
/8GB or /16GB	Memory size in Giga Byte
/M or /C	Monochrome or color sensor
/FM , /CM ,	Nikon F-Mount , C-Mount
/FMG	Nikon FG-Mount (Aperture ring is controlled manually at mount)
/EM	Canon EF/EFS-Mount (Aperture and focus are controlled by software)
/BI	Internal Battery (Accu-Pack)

Specifications

Maximum Resolution	1696 x 1710 pixel
Frame Rate @ max. Resolution	543 fps
Image Sensor	Progressive Scan CMOS
Exposure Time	2 μ s - 1/Framerate
Active Area	13,57 mm x 13,68 mm
Sensor Diagonal Dimension	19,27 mm
Pixel Size	8 μ m
A/D Conversion	8 bit
Dynamic	8 bit
Sensitivity	3,8 V/lux*second
Shutter	global electronic, >2 μ s exposure time
Trigger Signal	TTL, switch, open collector, rising or falling edge, on image content variation
Synchronization	internal, external
Interface	Gigabit Ethernet
Video Output	VGA
Power	12 VDC / 12 W
Lens Mount	Nikon F-Mount (optional: C-, FG- or Canon EF/EFS-Mount)
Weight	1.050 g
Operating Temperature	0 .. 40°C
Humidity	< 80 % relative, non-condensed
Dimensions	145 mm x 95 mm x 78,5 mm
Conformity	CE, RoHS
Scope of delivery	Camera CR3000x2, 5 m Gig-E cabel, power supply, Quick start guide, manual on CD, transport case, and TimeViewer Software for Windows.



The information given herein is believed to be reliable, however Optronis makes no warranties as to its accuracy or completeness. Data sheet is subject to modifications at any time. 04/2017