

# CamPerform CP90-25P-M/C-72 CoaxPress Camera



## User Manual

Ref. 1896-SU-01-D



## Contents

|   |           |
|---|-----------|
| <b>Revision</b>                                 | <b>3</b>  |
| <b>General</b>                                  | <b>4</b>  |
| Declaration of conformity                       | 4         |
| RoHS compliance                                 | 4         |
| Scope of delivery                               | 5         |
| Optronis customer service                       | 5         |
| Remark, Attention                               | 6         |
| <b>Precautions</b>                              | <b>6</b>  |
| Camera Power                                    | 6         |
| Environmental Conditions                        | 6         |
| General Precautions                             | 7         |
| <b>Camera</b>                                   | <b>8</b>  |
| Electrical Interface                            | 9         |
| Auxiliary (Aux.) connector pinout               | 10        |
| Camera Power                                    | 12        |
| Indicator Lamp (LED)                            | 13        |
| CoaxPress Data Channels                         | 13        |
| <b>Lens mount and handling</b>                  | <b>14</b> |
| Nikon F-Mount adapter                           | 14        |
| C-Mount adapter                                 | 16        |
| <b>Important features</b>                       | <b>16</b> |
| Frame format                                    | 16        |
| CoaxPress configuration (speed and cabling)     | 16        |
| Minimum Frame rate (@ internal synchronisation) | 17        |
| Maximum Frame rate (@ internal synchronisation) | 17        |
| Max. Frame Rate Examples:                       | 17        |
| Calculation of Maximum Frame Rate at CXP6:      | 17        |
| Calculation of Exposure Time                    | 18        |
| Frame Rate (@ external synchronisation)         | 18        |
| Multi ROI                                       | 18        |
| <b>Technical Data</b>                           | <b>19</b> |
| General   | 19        |
| Spectral Response / Transmittance               | 20        |
| Mechanical Dimensions                           | 21        |
| F-Mount Lens (/CM)                              | 21        |
| Synchronisation Input schematics                | 23        |
| Synchronisation Output schematics               | 23        |
| Internal Synchronisation Timing                 | 24        |
| Synchronization Output                          | 24        |
| External Synchronisation Timing                 | 25        |
| Synchronization Input “level detection”         | 25        |
| Synchronization Output “level detection”        | 25        |
| <b>Focal Length Calculation</b>                 | <b>26</b> |
| Full Sensor Resolution                          | 26        |
| Reduced Sensor Resolution                       | 26        |
| Distance Washer                                 | 28        |

|                               |           |
|-------------------------------|-----------|
| <b>Camera firmware update</b> | <b>29</b> |
| <b>Camera Control</b>         | <b>31</b> |
| <b>Gen&lt;i&gt;Cam</b>        | <b>37</b> |

## Revision

| Manual revision | Date       | Comments   |
|-----------------|------------|--|
| 1896-SU-C       | 06.07.2017 | First released version   |
| 1896-SU-D       | 24.07.2017 | Update layout. Add CXP configuration and Multi ROI paragraphs. |
|                 |            |  |

## General

### Declaration of conformity

Manufacturer: Optronis GmbH  
Address: Ludwigstr. 2, 77694 Kehl, Germany

We certify and declare under our sole responsibility that the following apparatus

Product: CP90-25P-M-72  
CP90-25P-C-72

conform with the essential requirements of the EMC Directive 2014/30/EU, based on the following specifications applied:

Specifications: EN 61000-6-3 Emission  
EN 61000-6-1 Immunity

Kehl, 16.08.2016

Optronis GmbH  
Dr. Patrick Summ  
Managing Director

### RoHS compliance



CamPerform CP90-25P-M/C-72 cameras are Pb free manufactured.

## Scope of delivery

### **CP90-25P-M/C-72 CoaxPress camera**

Options:            /C: Color sensor (Bayer Pattern)  
                          (IR Cutoff Filter, Specification: 1830-SS-10)  
                          /M: Monochrome sensor

Lens mount:        /CM: CMount  
                          /FM: FMount  
                          /FMG: FMount for Nikon G-Lens series

CoaxPress:        up to 6,25Gbit/channel, 4 channels

Synchronisation Adapter cable (Option)

Programming cable (USB2) for firmware update (Option)

User Manual (CD-ROM)

## Optronis customer service

Optronis GmbH  
Ludwigstr 2  
77694 Kehl  
Germany  
Tel: +49 (0) 7851 9126 0  
Fax: +49 (0) 7851 9126 10  
E-mail: [info@optronis.com](mailto:info@optronis.com)

For any questions or problems, please do not hesitate to ask our customer service. Please prepare the following information:

- Camera type: CP90-25P-M-72 or CP90-25P-C-72
- Serial-Number: see label at the bottom side of the camera
- Frame Grabber
- Operating System (Windows XP/Vista/32bit/64bit ...)
- Short description of the problem

## Remark, Attention

This user manual is compliant with the firmware version v.8.1 of the camera.  
The following signs are used in the user manual



**Remarks and additional information**



**Attention**

## Precautions

### Camera Power

Please use Power over CoaxPress or as an option the CP90-25P-M/C-72 camera power supply (not included in shipment).

### Environmental Conditions

Temperature range during operation: < + 45°C (housing temperature)  
> 0°C (ambient temperature)

Humidity during operation < 80% non-condensed



**At high ambient or housing temperatures the camera lifetime will be reduced. Avoid camera operation beyond temperature limits. Please ensure, that the housing temperature will be kept as low as possible by additional heatsinks.**



## General Precautions

Read the user manual carefully before using the camera.

Do not orientate the optical input of the camera to direct sunlight.

Keep the camera free protected from dirt, dust, grease and water.

Make sure that all the connecting cables are in good condition. Defective cables have to be replaced.

Always unplug the camera before cleaning it. Do not use cleaning liquids or sprays. Instead, use a dry and soft duster.



There are no serviceable parts inside the camera. Do not open the housing of the camera.

Warranty becomes void if the camera housing is opened.

## Camera



- |                                     |  |
|-------------------------------------|--|
| 1: Camera housing                   | 2: Mounting holes 2x M4x6mm 1x 1/4" x6mm |
| 3: Lens mount (Nikon-F)             | 4: Nikon lens                            |
| 5: electrical interface (back side) | 6: Mounting holes 4x M4x6mm              |



1: CoaxPress Channel  
3: Auxiliary Connector

2: Power Connector  
4: Indicator Lamp (LED)

## Electrical Interface



Camera (Pwr.) connector type: Hirose HR10A-7R-6S

Cable Connector: Hirose HR10A-7R-6P

## Auxiliary (Aux.) connector pinout

| Auxiliary (Aux.) connector pinout |             |  |
|-----------------------------------|-------------|--|
| Pin Nr.                           | Description |  |
| 1                                 | Sync. In    | External Synchronisation Input<br>TTL level: <0,8Volt (low)<br>> 2 Volt (high)             |
| 2                                 | reserved    | -  |
| 3                                 | Sync. Out   | External Synchronisation Output<br>(TTL level @ high impedance,<br>0 to 2 Volt @ 50 Ohms ) |
| 4+5+6                             | GND         | Sync. Ground   |



To operate SyncIn correctly, a SyncIn driver circuit has to be used.

Minimum Sink Current (TTL Low Level) of the SyncIn Driver has to be 5mA. At 5mA Sink Current the input level at the SyncIn camera input drops below 0,8Volts.

Source Current (TTL High Level).of the SyncIn Driver is negligible (0mA)

Easiest driver circuit is a Transistor working in open collector configuration.



SyncIn input voltage limit ranges from – 5 Volts to + 30 Volts. Voltages applied beyond these limits may damage the SyncIn Input.



SyncOut has a built in 50 Ohm driver.

At 50 Ohm termination, the driver voltage is in between 0 (low level) to ~2 Volts (high level). At high impedance termination, the driver voltage is in between 0 (low level) to ~4 Volts (high level).



SyncOut voltage limit ranges from 0 Volt to + 5 Volts. Voltages applied beyond these limits may damage the SyncOut Output.



The Auxiliary connector may also be used to update the firmware of the camera. Please use the USB2 programming adapter cable.

## Camera Power



Camera (Pwr.) connector type: Hirose HR10A-7R-4S  
 Cable Connector: Hirose HR10A-7R-4P

| Power (Pwr.) connector pinout |             |  |
|-------------------------------|-------------|--|
| Pin Nr.                       | Description |  |
| 1+2                           | VCC         | DC Power<br>+24Volt +/-5% (Ripple < 200mV)<br>Inrush Current ~0,6A |
| 3+4                           | GND         | Power Ground   |



Alternatively Power over CoaxPress (PoCXP) can be used.

## Indicator Lamp (LED)

| State   | Indication                        |
|---|-----------------------------------|
| No power  | Off                               |
| System booting  | Solid orange                      |
| Powered, but nothing connected<br>(only for power over power connector) | Slow pulse red                    |
| Link detection in progress,<br>PoCXP active                             | Fast flash green                  |
| Linkt detection in progress,<br>PoCXP not in use                        | Fast flash orange                 |
| Camera / Grabber incompatible,<br>PoCXP active                          | Slow flash alternate red / green  |
| Camera / Grabber incompatible,<br>PoCXP not in use                      | Slow flash alternate red / orange |
| Camera connected, but no data being<br>transferred                      | Slow pulse green                  |
| Camera connected, waiting for event<br>(e.g. trigger, exposure pulse)   | Slow pulse orange                 |
| Camera connected, transferring<br>frames                                | Solid green                       |
| Error during data transfer  | 500ms red pulse                   |
| System error  | Fast flash red                    |



Camera is in calibration mode, when all LEDs are flashing slowly. Calibration mode is directly after start up and can last about 10 seconds.

## CoaxPress Data Channels

To operate the camera, all 4 CoaxPress Channels have to be used. Channel 1 is Master link. Channel 2, Channel 3 and Channel 4 are Extension links. Channel 1 uses Power over CoaxPress (PoCXP). Speeds of the Downlink are 6,25Gbit/s.

## Lens mount and handling

### Nikon F-Mount adapter

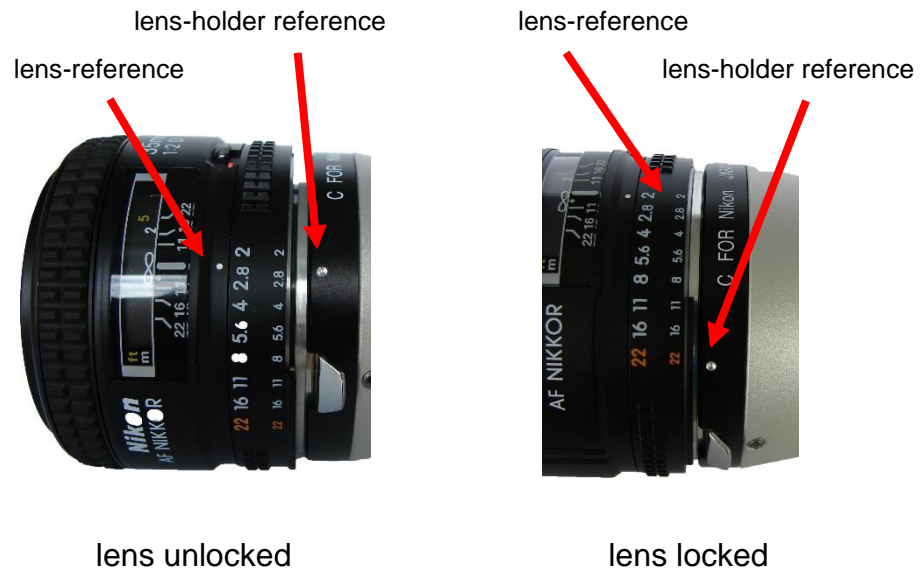


Figure: Camera with Nikon F-Mount adapter

To mount the lens, it has to be positioned on the lens-holder in a way, that the back surface of the lens is completely attached to the surface of the lens-holder.

The lens-reference has to be positioned in face to the lens-holder reference as shown in the figure below. Then, the lens has to be turned anti-clockwise until the silver clip on the lens-holder locks.





To unmount the lens, pull back first the silver clip in order to unlock the lens as shown below. Then (the silver clip has still to be pulled back) turn the lens clockwise until the lens is unmounted completely.



## C-Mount adapter

To mount the C-Mount lens, unscrew the protective cover anti-clockwise and mount the C-Mount lens into the lens holder.

To unmount the lens, unscrew the C-Mount lens anti-clockwise.

## Important features

The CamPerform CP90-25P-M/C-72 CoaxPress cameras are a high resolution, high frame rate CMOS area scan camera that are designed for industrial use. The image sensor and the camera offer exceptional high performance:

- excellent image quality
- excellent sensitivity
- low noise
- monochrome and color
- internal and external synchronisation
- Region of Interest (ROI)

## Frame format

The Frame format (frame resolution) of the camera is 5120 active Pixels in horizontal (x) direction and 5120 active Pixels in vertical (y) direction at full resolution. The frame format can be reduced by factor of 256 Pixel in horizontal direction and factor of 4 Pixel in vertical direction.

The frame format can be reduced by selecting a region of interest (ROI).

## CoaXPress configuration (speed and cabling)

The default CoaXPress configuration is 4 links/cables working at 6Gbps (CXP6x4).

But the camera can be configured in a 2 links/cables configuration at 6Gbps (CXP6x2). The maximum frame rate is then lower but it allows the user to connect 2 cameras to a 4 link frame grabber.

Allowed configuration are “CXP6x4” and “CXP6x2”, see camera xml entry “ConnectionConfig” to check or modify camera CoaXPress configuration.

### Minimum Frame rate (@ internal synchronisation)

Minimum frame rate is limited to 10 fps in free run mode.

### Maximum Frame rate (@ internal synchronisation)

The minimum frame interval (maximum frame rate) that can be reached by the camera internal synchronisation mode depends on the CoaxPress Speed (Bit Rate).

| Compliance labelling | Bit Rate (Gbps) per link | Link Number (Coaxpress cables) | Maximum frame rate |
|----------------------|--------------------------|--------------------------------|--------------------|
| CXP6x4               | 6,250                    | 4                              | 72                 |
| CXP6x2               | 6,250                    | 2                              | 36                 |
|                      |                          |                                |                    |

Figure: Supported high speed link bit rates

### Max. Frame Rate Examples:

| CoaxPress labelling | Pixel resolution x (Pixel) | Pixel resolution y (Pixel) | Max. Frame Rate (fps) |
|---------------------|----------------------------|----------------------------|-----------------------|
| CXP6x4              | 5120                       | 5120                       | 72                    |
| CXP6x4              | 4096                       | 4096                       | 112                   |
| CXP6x4              | 2048                       | 2048                       | 277                   |
| CXP6x4              | 1024                       | 1024                       | 531                   |
| CXP6x4              | 256                        | 256                        | 1688                  |
|                     |                            |                            |                       |

(Max. Frame Rate values are rounded values)

### Calculation of Maximum Frame Rate at CXP6:

$$1000000 / (((\text{Pixel resolution } y + 2) * (A) + 5794 + 4100) / 62)$$

$$A = (\text{Pixel resolution } x / 32 + 4)$$

If  $A < 104$  then  $A := 104$

## Calculation of Exposure Time

Max. Exposure Time =  $1/\text{FrameRate}$

Minimum Exposure Time = 100usec

## Frame Rate (@ external synchronisation)

For external synchronisation please apply a TTL signal to the Sync In and Sync Out BNC adapter of the adapter cable (scope of delivery). External synchronisation may be operated in level detection mode. Please see the external synchronisation timing for more information about resulting frame rates and exposure times.

Alternatively SyncIn can be applied directly between Pin 1 and Pin 3 on the camera power (Pwr.) connector, Sync Out between Pin 4 and Pin 3. The synchronisation output can be used to synchronise other devices as e.g. additional cameras or external light flashes.



The External synchronisation frame rate range can reach any value between 10 fps and maximum Frame Rate @ internal synchronisation.

## Multi ROI

The camera has a multi ROI output mode with a maximum of 32 ROIs There are named multiroi0 to multiroi31.

Enabling: MultiROI feature is enabled with XML entry “multiroi\_number”:

- ‘1’ means no multi ROI (only 1 ROI defined by XML entries “Width” / “OffsetX” and “Height” / “OffsetY”).
- ‘N’ ( $1 < N \leq 32$ ) means N ROI activated.

X\_size: When multi ROI is enabled ( $N > 1$ ), all ROIs have the same width parameters defined by XML entries “Width” and “OffsetX”.

Y\_size: Every enabled ROI “XX” ( $1 \leq XX \leq \text{“multiroi\_number”}$ ) is defined by 2 XML entries:

- MultiroiXX\_y\_start: 1<sup>st</sup> line of the ROI XX.
- MultiroiXX\_y\_height: height of the ROI XX

Output frame: The resulting output frame is the concatenation of all activated ROI. Its width is the same as all ROI and its height is the sum of all ROI height.

## Technical Data

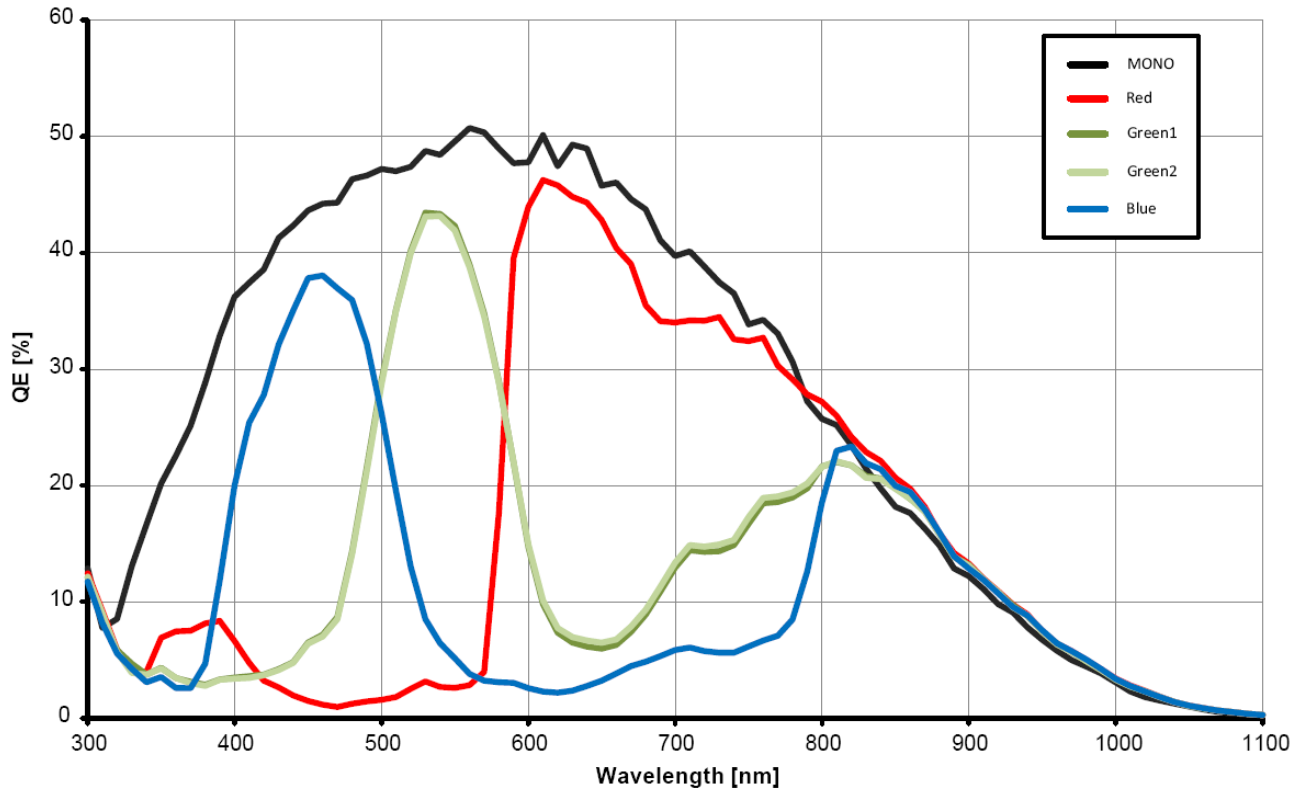
### General

|                             |  |
|-----------------------------|--|
| Power Source                | + 24 Volt +/- 5% DC<br>< 200mV ripple<br>Alternatively PoCXP |
| Power                       | approx. 11 Watt  |
| Pixel Number                | 5120x5120  |
| Pixel size                  | 4,5 µm x 4,5 µm  |
| Active area                 | 23,04 mm x 23,04 mm  |
| Sensor responsivity         | 5.8 Volt/lux.s   |
| Sensor S/N ratio            | 41 dB (Linear)   |
| Shutter                     | Global, efficiency ~99,9%                                    |
| Minimum Ambient Temperature | 0 °C   |
| Maximum Housing Temperature | + 45 °C  |
| Humidity                    | < 80% relative, non-condensed                                |
| Interface                   | CoaxPress DIN1.0/2,3 4 x CXP6                                |
| Uplink                      | Over CoaxPress   |
| Video interface             | CoaxPress  |
| Size                        | 85 mm x 85 mm x 99,5 mm<br>(F-Mount)                         |
| Weight                      | approx. 600g without lens                                    |

Spectral Response / Transmittance

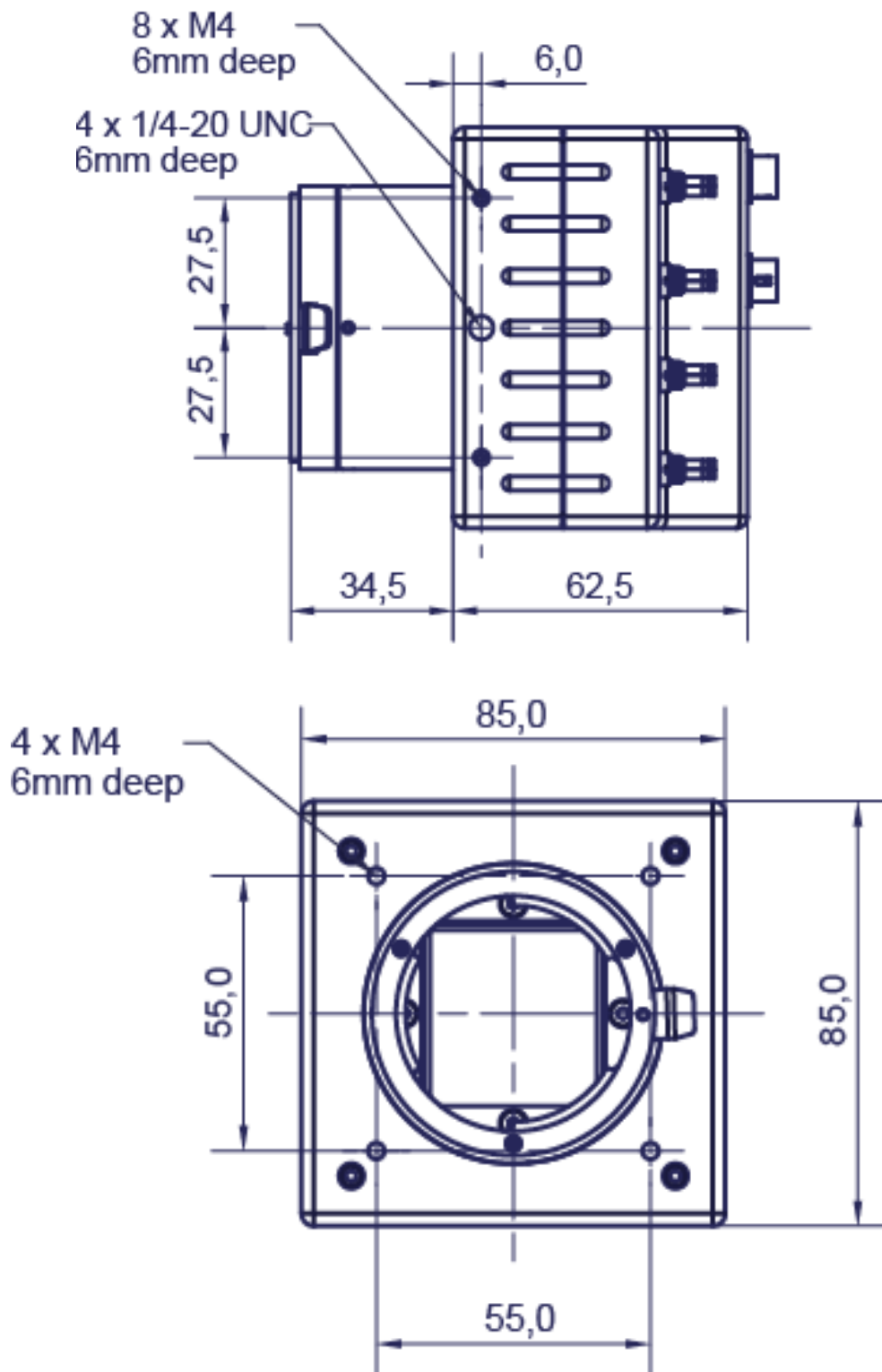
Spectral response (Monochrome / Color Sensor)

Quantum Efficiency



Mechanical Dimensions

F-Mount Lens (/CM)



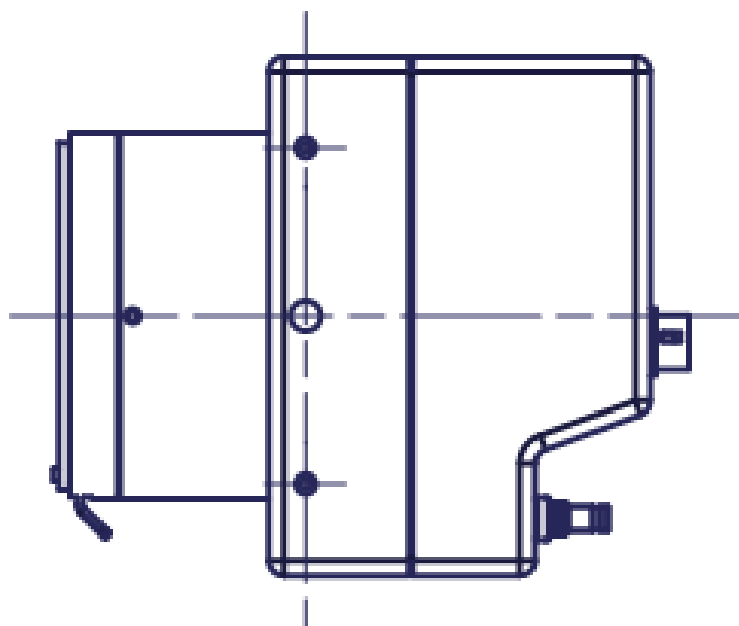
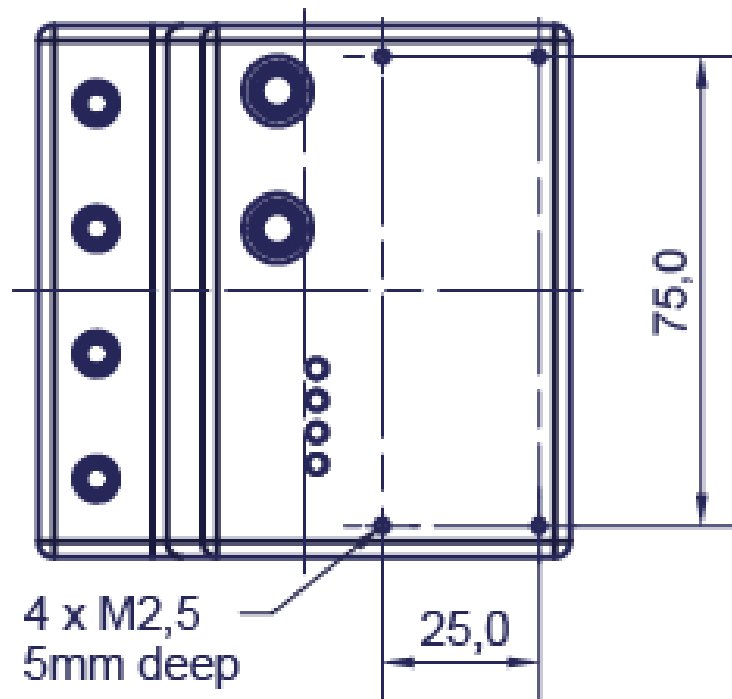


Figure : Side View (all dimensions in mm)

Screw threads in socket:

M4 min. 6 mm depth

1 x ¼" min. 6 mm depth (in the middle)



### Synchronisation Input schematics

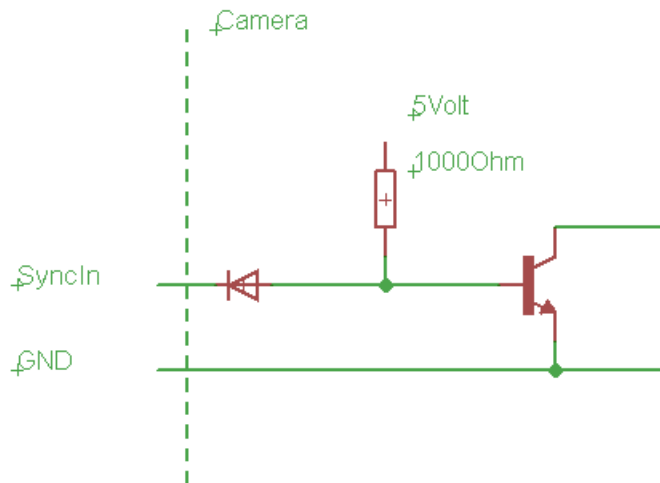


Figure: SyncIn Schematics (for illustration only)

### Synchronisation Output schematics

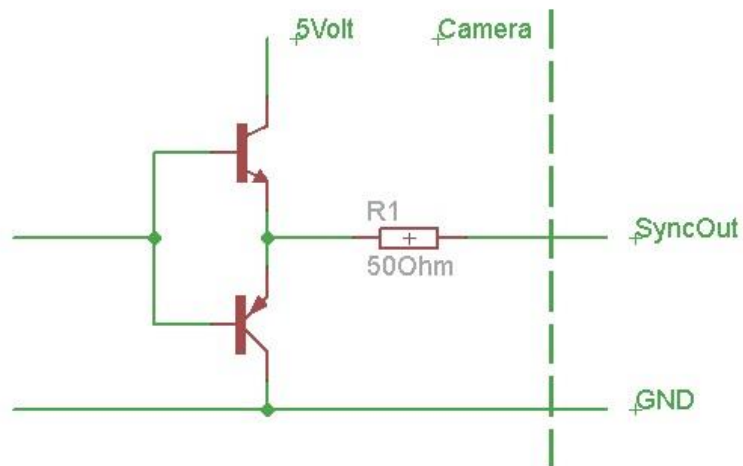
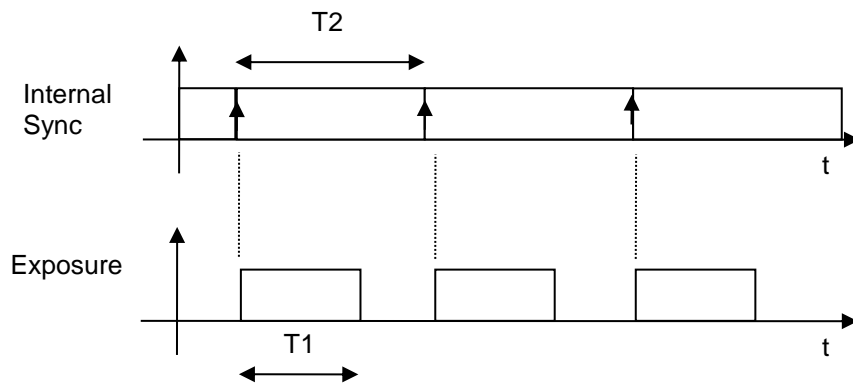


Figure: SyncOut Schematics (for illustration only)

## Internal Synchronisation Timing



T1: Exposure time, selected by software

T2: Frame Interval (1/Frame Rate), selected by software

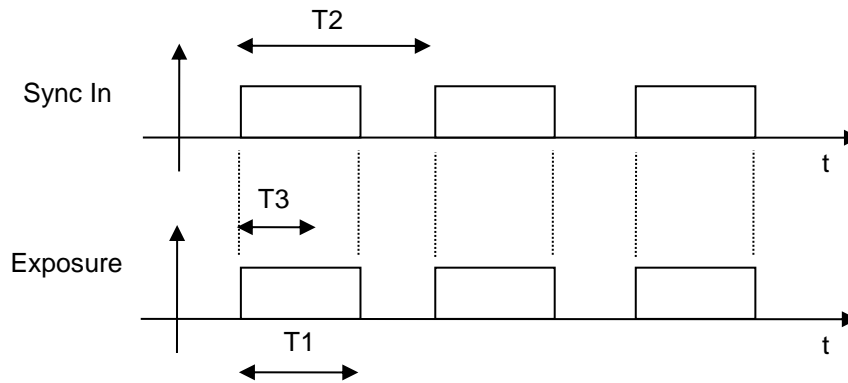
### Synchronization Output

Logic 1 during Exposure Time (T1)

**External Synchronisation Timing**

**Synchronization Input “level detection”**

positive level:



Sync In rising level to Exposure Delay: ~6,0usec +/- 530nsec typical

T1: Exposure time

T2: 1/Frame Rate

T3: 1/Maximum Frame Rate (limited by readout of the sensor)  
depends on frame format and Camera Link® mode

|  |
|--|
| <p>T1 max: : 100msec<br/> T1 min: 100usec<br/> T2 max: 100msec<br/> T2 min: T3</p> |
|--|

**Synchronization Output “level detection”**

Logic 1 during Exposure Time (T1)

## Focal Length Calculation

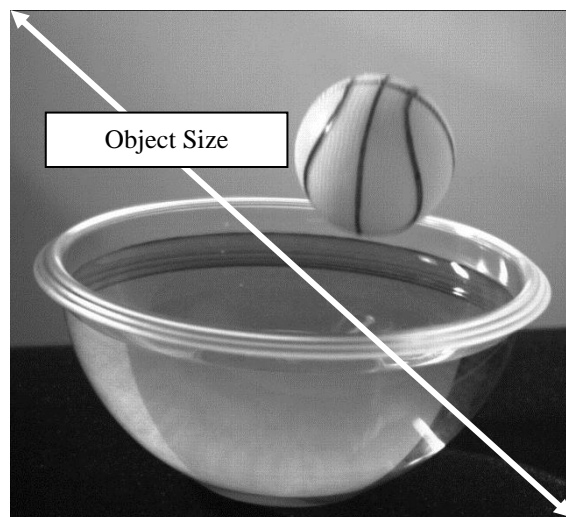
### Full Sensor Resolution

The required focal length of the lens at full sensor resolution (5120x5120 Pixel) is calculated as follows:

$$Focal\ Length\ [mm] = \frac{A}{1 + \frac{B}{32,583}}$$

A: Distance from lens to object in mm

B: Size of the object in mm



### Example:

A: Distance from lens to object = 300 mm

B: Object Size = 100 mm

calculated focal length =  $(300 : (1 + (100 : 32,583))) = 73,7\ mm$

### Reduced Sensor Resolution

At reduced sensor resolutions (e.g. 1920 horizontal x 1080 vertical pixels) the focal length is calculated as follows:

$$Sensor\ Size\ [mm] = 0,0045 \cdot \sqrt{C^2 + D^2}$$

$$Focal\ Length\ [mm] = \frac{A}{1 + \frac{B}{Sensor\ Size\ [mm]}}$$

A: Distance from lens to object in mm

B: Object size in mm

C: Number of horizontal pixels

D: Number of vertical pixels

**Example:**

C: Number of horizontal pixels = 1920

D: Number of vertical pixels = 1080

$$Sensor\ Size\ [mm] = 0,0045 \cdot \sqrt{1920^2 + 1080^2} = 9,9$$

A: Distance from lens to object = 300 mm

B: Object size = 100 mm

calculated focal length =  $(300 : (1 + (100 : 9,9))) = 27\ mm$

when a lens with focal length of 35 mm has to be used, and the object size has to be kept at 100 mm, the distance from lens to object has to be changed as follows:

$$Distance\ to\ Object\ [mm] = Focal\ Length \cdot \left(1 + \frac{Object\ Size}{Sensor\ Size}\right)$$

at a focal length of 35mm, an object size of 100mm and a sensor size of 15,4mm the new distance from lens to object is calculated as:

$$35 \cdot (1 + (100 : 9,9)) = 388\ mm$$

The distance from lens to object has to be increased from 300mm to 388mm.

Vice versa, when the distance from lens to object has to be reduced, the focus of the lens will come to its limit. and the required magnification factor can no more performed by the lens itself. In this case, a distance washer has to be placed between the lens interface of the camera and the lens.

## Distance Washer

The length of the distance washer can be calculated as follows:

$$\text{Length of the Distance Washer [mm]} = \text{Focal Length} \cdot \frac{\text{Sensor Size}}{\text{Object Size}}$$

### **Example:**

Sensor Size as calculated above = 9,9mm

required Object Size=9,9mm

(The required magnification factor is = 1 : 1)

focal length of the lens = 35mm

calculated Length of the Distance Washer = 35 · (9,9 : 9,9) = 35mm

## Camera firmware update

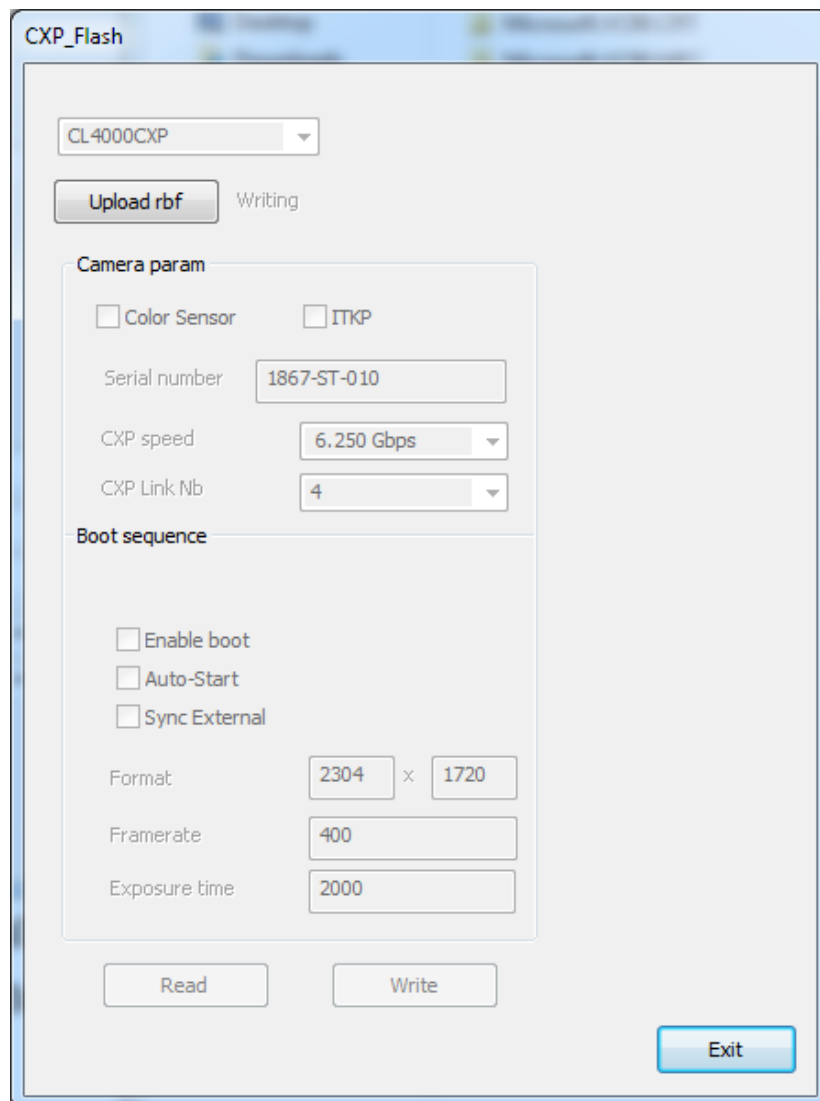
Camera firmware update is available through the USB programming cable and the UCXP\_Flash software delivered with the camera.

Please go through the following steps :

- 1) Switch OFF camera
- 2) Connect USB cable to PC and camera Aux. input.
- 3) Install USB driver on PC if it is not already done.

To install USB driver, launch USB\_Setup.exe and then Reboot PC.

- 4) Switch ON camera
- 5) Launch UCXP\_Flash.exe



Click on "Upload rbf" and select the file cxp9xxx.rbf.

Wait until finished.

6) Click on Exit.

7) Switch OFF camera and switch ON camera.



## Camera Control

The camera can be controlled using its GenICam XML file.

The XML file is organized in several categories:

- **DeviceControl**
- **ImageFormatControl**
- **AcquisitionControl**
- **TransportLayerControl**
- **Support**
- **CXP**
- **Optronis**

The most important entries to control the camera are detailed below.

Please check camera XML to have get more information and get camera mapping to control camera using a register accesses instead of the GenICam XML.

DeviceVendorName

Description: Name of the manufacturer of the device.

Length: 32

Access Mode: RO

DeviceModelName

Description: This feature provides the model of the device.

Length: 32

Access Mode: RO

DeviceManufacturerInfo

Description: This feature provides extended manufacturer information about the device.

Length: 48

Access Mode: RO

DeviceVersion

Description: This feature provides the version of the device.

Length: 32

Access Mode: RO

## DeviceFirmwareVersion

Description: Version of the firmware in the device.

Length: 32

Access Mode: RO

## DeviceID

Description: This feature stores a camera identifier.

Length: 16

Access Mode: RO

## DeviceReset

Description: Resets the device to its power up state.

Length: 4

Access Mode: WO

## WidthMax

Description: Maximum width (in pixels) of the image. The dimension is calculated after horizontal binning, decimation or any other function changing the horizontal dimension of the image.

Length: 4

Access Mode: RO

## Width

Description: This feature represents the actual image width expelled by the camera (in pixels).

Minimum: 256

Maximum: WidthMax

Increment: 256

Length: 4

Access Mode: RW

## HeightMax

Description: Maximum height (in pixels) of the image. This dimension is calculated after vertical binning, decimation or any other function changing the vertical dimension of the image.

Length: 4

Access Mode: RO

## Height

Description: This feature represents the actual image height expelled by the camera (in pixels).

Minimum: 4

Maximum: HeightMax

Increment: 4

Length: 4

Access Mode: RW

## OffsetX

Description: Horizontal offset from the origin to the area of interest (in pixels).

Minimum: 0

Maximum: OffsetXMax

Increment: 256

Length: 4

Access Mode: RW

## OffsetY

Description: Vertical offset from the origin to the area of interest (in pixels).

Minimum: 0

Maximum: OffsetYMax

Increment: 4

Length: 4

Access Mode: RW

## PixelFormat

Description: This feature indicates the format of the pixel to use during the acquisition.

Value: Mono8

Value: Mono10Packed

Value: BayerRG8

Value: BayerRG10

Length: 4

Access Mode: RW

## AcquisitionMode

Description: This feature controls the acquisition mode of the device.

Value: Continuous

Value: SingleFrame

Value: CoaxPress

Length: 4

Access Mode: RW

## AcquisitionStart

Description: This feature starts the Acquisition of the device.

Length: 4

Access Mode: RW

## AcquisitionStop

Description: This feature stops the Acquisition of the device at the end of the current Frame.

Length: 4

Access Mode: RW

## Maximum: AcquisitionFrameRate

Description: Frame rate in Hz.

Minimum: 16

Maximum: 72

Unit: Hz

Length: 4

Access Mode: RW

## Maximum: ExposureTime

Description: Sets the Exposure time (in microseconds) when ExposureMode is Timed. This controls the duration where the photosensitive cells are exposed to light.

Minimum: 98

Maximum: Depends on Frame rate

Unit: us

Length: 4

Access Mode: RW

## Granularity

Description: Granularity mode.

Value: On

Value: Off

Length: 4

Access Mode: RW

## ConnectionReset

Description: Bootstrap register ConnectionReset.

Length: 4

Access Mode: RW

## ConnectionConfig

Description: Bootstrap register ConnectionConfig.

Value: CXP6\_X2

Value: CXP6\_X4

Length: 4

Access Mode: RW

## Calibration

Description: Calibration

Value: On

Value: Black

Length: 4

Access Mode: RW

## FlashSaveWithAutoStart

Description: This feature saves the current configuration into flash. After reboot, the camera loads the saved configuration and starts the acquisition automatically.

Length: 4

Access Mode: RW

## FlashSaveWithoutAutoStart

Description: This feature saves the current configuration into flash. After reboot, the camera loads the saved configuration without starting the acquisition automatically.

Length: 4

Access Mode: RW

## DisableFlashLoad

Description: This feature disables the flash configuration load at the camera boot.

Length: 4

Access Mode: RW

## IndicatorLamps

Description: Switch ON/OFF indicator lamps.

Value: On

Value: Off

Length: 4

Access Mode: RW

## ColorSensor

Description: Has camera a color sensor.

Minimum: 0

Maximum: 1

Increment: 1

Length: 4

Access Mode: RO

## multiroi\_number

Description: multiroi\_number

Length: 4

Access Mode: RW

The maximum number of multi ROI is 32. There are named multiroi0 to multiroi31.

Once a multiroi is enabled (ie. number multiroi\_number > 1), each multiroi is controlled by 2 XML entries: start and height.

For example for multiroi0:

Multiroi0\_y\_start

Description: multiroiN\_y\_start

Minimum: 0

Maximum: HeightMax

Increment: 4

Length: 4

Access Mode: RW

multiroiN\_y\_height

Description: multiroiN\_y\_height

Minimum: 0

Maximum: HeightMax

Increment: 4

Length: 4

Access Mode: RW

Etc...

## Gen<i>Cam

Optronis ships together with the CP90-25P-M/C-72 camera a XML file that is Gen<i>Cam compatible. The XML file follows the SNFC (Standard Features Naming Convention).

Please ask, if needed, the Optronis customer service for the availability of this XML file.