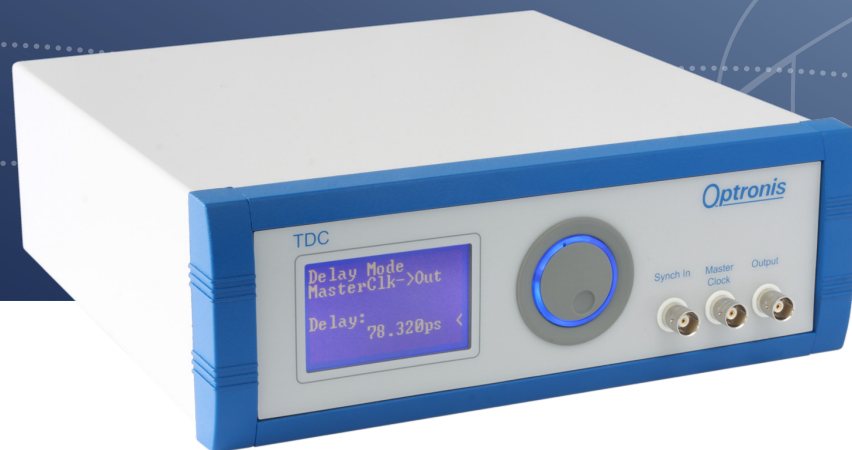


STREAK CAMERA ACCESSORIES

TDC

Timing and Delay Controller



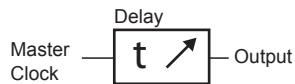
- Low jitter 5 ps
- Timing resolution 10 ps
- Synchronisation to 100 MHz master clock
- Local and remote control via USB
- Designed for laser systems using amplifier or pulse-picker

Timing and Delay Controller TDC

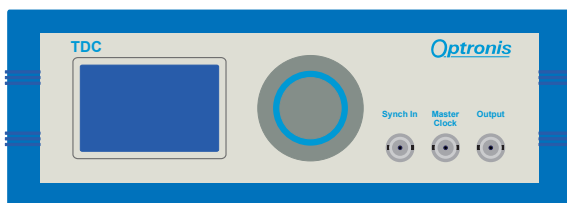
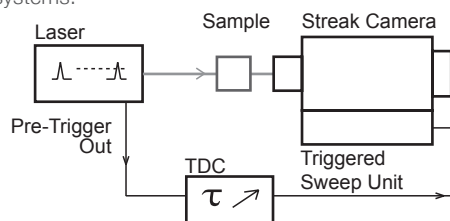
The TDC is a timing and delay controller to generate trigger signals for streak camera systems using triggered sweep units (TSU12-... or TSU11-...). Trigger configuration is significantly simplified by using the TDC for streak camera applications with laser systems using amplifiers or pulse-pickers. Key features are ultra low trigger jitter and high delay time resolution. Details are available on Optronis' applications notes related to trigger setup configurations. Two operation modes of the TDC can be selected.

DELAY MODE

In delay mode the TDC provides an output signal with variable temporal delay τ related to the Master Clock input signal.

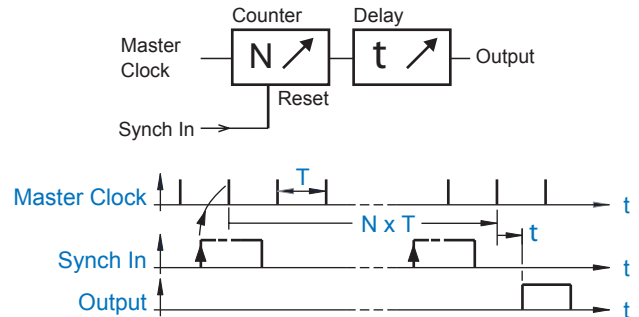


Delay mode is typically used with low and medium repetition frequency (<4 MHz) laser systems.

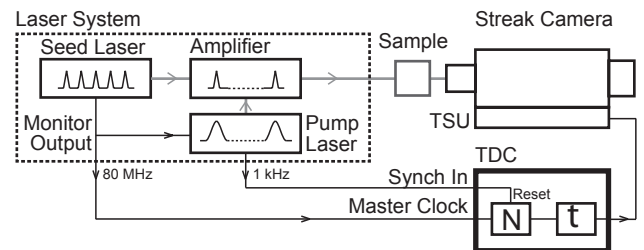


COUNTING MODE

In counting mode a Master Clock Signal is used to trigger a counter that is reset by each Synch In pulse. Master Clock frequency and Synch In frequency have to have a constant ration. The output signal appears after a variable number N of Master Clock pulses followed by a variable delay τ .



This operation mode can be used with laser systems where a high repetition rate seed laser is used. Seed laser pulses are amplified or selected by a pulse-picker at lower rate.



A simplified schematics of an amplified laser system is shown with typical frequencies of 80 MHz and 1 kHz.

SPECIFICATIONS

Variable delay	T_{min} - 50 ns, 10 ps adjustment resolution	
Minimum delay time T_{min}	<15 ns (Master Clock -> Output)	
Counter N	2 .. 10^9 , $N < 1.5 \times C/S$	
Master Clock Signal Input	Frequency (C)	1 - 100 MHz @ Counting Mode / 0 .. 4 MHz @ Delay Mode
	Amplitude	-3 dBm .. +3 dBm, sinusoidal @ Counting Mode +2 V .. +5 V, rising edge @ Delay Mode
Synch Signal Input	Frequency (C)	0 .. 4 MHz, C/S ration should be constant
	Amplitude	+2 V .. +5 V, rising edge @ Counting Mode
Output Signal	Frequency	0 .. 4 MHz
	Amplitude	>3 V, 50 Ω
	Pulse Duration	40 ns (typ.)
Interface	USB, type B connector	
Dimensions	(W x H x D)	250 mm x 100 mm x 260 mm
Power Supply	100 V .. 240 Vac, 47 Hz .. 64 Hz	
Environment	+0 °C .. +35°C / 20 .. 80% rel. humidity non condensing	

CONTACT INFORMATION

Optronis GmbH
 Ludwigstraße 2
 77694 Kehl
 Germany
 Phone: +49 7851 91 26 - 0
 Fax: +49 7851 91 26 - 10
 info@optronis.com
 www.optronis.com

