

MACHINE VISION CAMERA

CamPerform

CP90-4-M/C-500



- METROLOGY
- LASER TRIANGULATION
- INLINE INSPECTION

- 23000 fps with 2304x32 pixels with 8 bit A/D conversion
- New DIN 1.0/2.3 connectors with thread lock
- CoaXPress interface with 25 Gbit/s
- Power and trigger via CoaXPress
- Monochrome and color sensor
- EMVA1288 standard

CamPerform CP90-4-M/C-500

Optronis

Make time visible

MODEL OPTIONS

Article number	Description
CP90-4-M-500	monochrome Camera
CP90-4-C-500	color Camera
CP90-CM	C-Mount lens adapter
CP90-FM	F-Mount lens adapter
CP90-PTC	Pig tail cable for sync

PERFORMANCE (EXAMPLES)

Resolution (H x V)	Frames / second
2304 x 1720	500 fps
1920 x 1080	800 fps
1280 x 720	1200 fps
2304 x 80	10000 fps
2304 x 32	23000 fps (28000 fps +mode)

STANDARDS

Conformity (documents available on request)

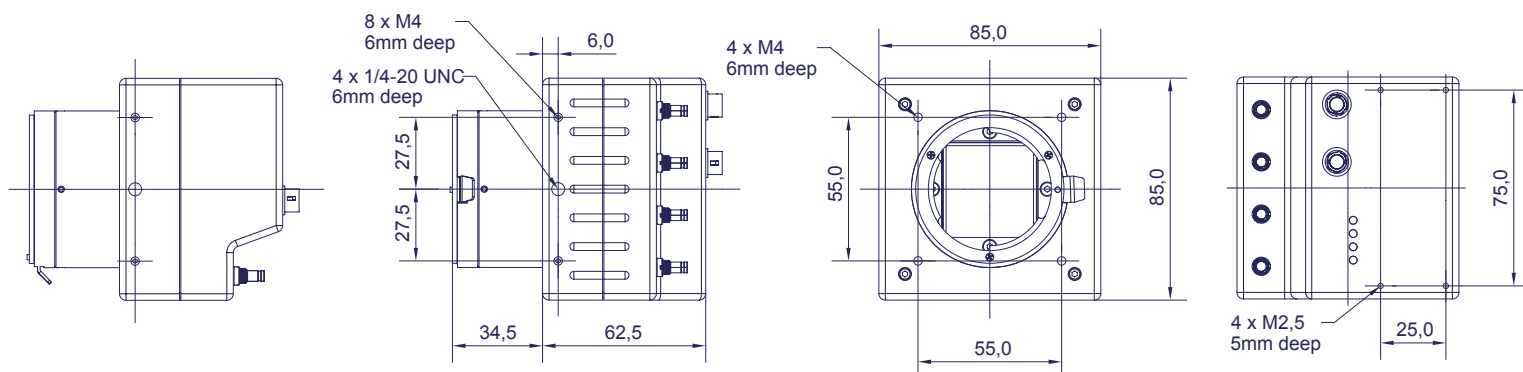
EMVA1288	Version 3.0
CoaXPress	Version 1.1
GenICam	Fully supported
Shock & Vibration	DIN EN 60721-3-2
ISO	9001:2015
Conformity	CE, RoHS



SPECIFICATIONS

Sensor resolution	2304 x 1720 faster frame rates with smaller Y window size
Frame rate @ max. sensor res.	500 fps
Image sensor	AM41 global shutter CMOS
Exposure time	2 µs - 1/Frame rate
Active area	16.13 mm x 12.04 mm
Sensor diagonal dimension	20.13 mm
Pixel size	7.0 µm
A/D conversion	8 Bit
Dynamic (EMVA1288)	50 dB
Sensitivity	8 V/lux*s @525 nm
Saturation capacity (FWC)	20000 e-
SNR (EMVA1288)	43 dB
DSNU1288	170 e-
PRNU1288	1,5 %
Non-linearity error (5-95 %)	<1 %
Shutter efficiency	global electronic shutter
Trigger signal	TTL, 3.3 - 5 V, 10 mA, optically isolated
Trigger modes	internal free-run, external, CXP
Interface	CoaXPress (4 Channel, CXP-6) DIN 1.0/2.3 connectors 25 Gbit/s
Power	PoCXP (9.5 Watt)
Lens mount	F-Mount, C-Mount, M42 and custom
Weight	400 g without mount
Dimensions	85 mm x 85 mm x 62.5 mm (3D-Step file on request)
Housing	lightweight anodised aluminium
Scope of delivery	camera and manual

TECHNICAL DRAWING



CONTACT INFORMATION

Optronis GmbH
Ludwigstraße 2
77694 Kehl
Germany

Phone: +49 7851 91 26 - 0
Fax: +49 7851 91 26 - 10
info@optronis.com
www.optronis.com

The information given herein is believed to be reliable, however Optronis makes no warranties as to its accuracy or completeness. Data sheet is subject to modifications at any time. 10/2016