

MACHINE VISION CAMERA

CamPerform

CP90-3-M/C-540



- METROLOGY
- 2D/3D AOI
- INLINE INSPECTION

- 540 fps with 1696x1710 pixels with 8 bit A/D conversion
- New DIN 1.0/2.3 connectors with thread lock
- CoaXPress interface with 25 Gbit/s
- Power and trigger via CoaXPress
- Monochrome and color sensor
- EMVA1288 standard

CamPerform CP90-3-M/C-540

Optronis

Make time visible

MODEL OPTIONS

Article number	Description
CP90-3-M-540	monochrome Camera
CP90-3-C-540	color Camera
CP90-CM	C-Mount lens adapter
CP90-FM	F-Mount lens adapter
CP90-PTC	pig tail cable for sync

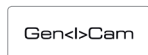
PERFORMANCE (EXAMPLES)

Resolution (H x V)	Frames / second
1696 x 1710	540 fps
1280 x 720	1652 fps
800 x 600	2954 fps
512 x 512	4894 fps
128 x 128	37700 fps

STANDARDS

Conformity (documents available on request)

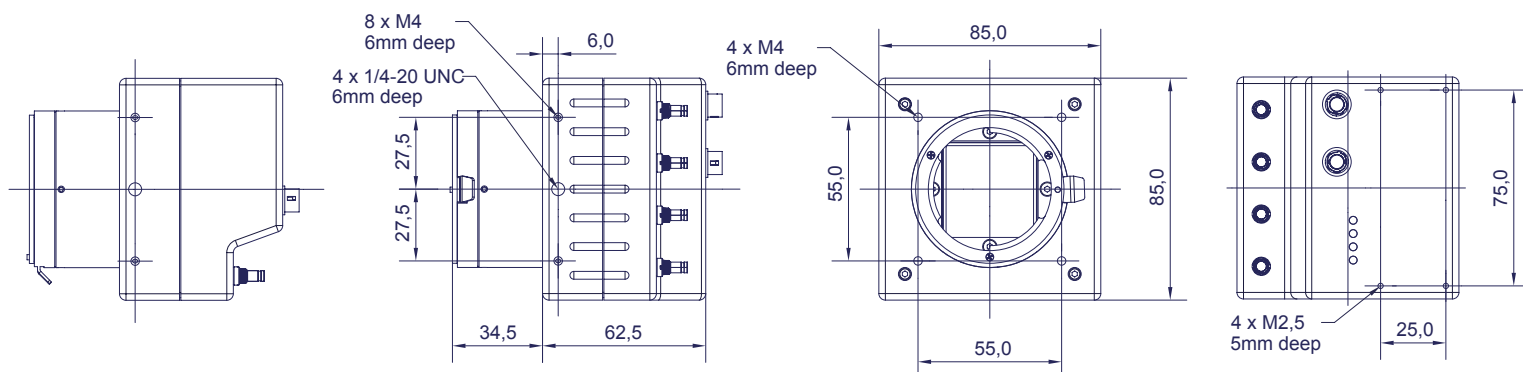
EMVA1288	version 3.0
CoaXPress	version 1.1
GenICam	fully supported
Shock & Vibration	DIN EN 60721-3-2
ISO	9001:2015
Conformity	CE, RoHS



SPECIFICATIONS

Sensor resolution	1696 x 1710 faster frame rates with smaller X,Y window size
Frame rate @ max. sensor res.	540 fps
Image sensor	Lupa 3000 Global Shutter CMOS
Exposure Time	2 μ s - 1/Frame rate
Active Area	13.57 mm x 13.68 mm
Sensor Diagonal Dimension	19.27 mm
Pixel Size	8 μ m
A/D Conversion	8 Bit (LUT optional)
Dynamic	55 dB
Sensitivity	3.8 V/lux*s @525 nm
Saturation capacity (FWC)	27000 e-
SNR	43 dB
DSNU1288	270 e-
PRNU1288	1.7 %
Non-linearity error	<0.6 %
Shutter efficiency	global electronic shutter
Trigger signal	TTL, 3.3 - 5 V, 10 mA, optically isolated
Trigger modes	internal free-run, external, CXP
Interface	CoaXPress (4 Channel, CXP-6) DIN 1.0/2.3 connectors 25 Gbit/s
Power	PoCXP (9 Watt)
Lens mount	F-Mount, C-Mount, M42 and custom
Weight	400 g without mount
Dimensions	85 mm x 85 mm x 62.5 mm (3D-Step file on request)
Housing	lightweight anodised aluminium
Scope of delivery	camera and manual

TECHNICAL DRAWING



CONTACT INFORMATION

Optronis GmbH
Ludwigstraße 2
77694 Kehl
Germany

Phone: +49 7851 91 26 - 0
Fax: +49 7851 91 26 - 10
info@optronis.com
www.optronis.com

The information given herein is believed to be reliable, however Optronis makes no warranties as to its accuracy or completeness. Data sheet is subject to modifications at any time. 10/2016