

MACHINE VISION CAMERA

# CamPerform

CP70-12-M/C-188



- METROLOGY
- 2D/3D AOI
- INLINE INSPECTION

- 188 fps with 4080 x 3072 pixels with 10 bit A/D conversion
- New DIN 1.0/2.3 connectors with thread lock
- CoaXPress interface with 25 Gbit/s
- Power and trigger via CoaXPress
- Monochrome and color sensor
- EMVA1288 standard

## MODEL OPTIONS

Article number	Description
CP70-12-M-188	monochrome Camera
CP70-12-C-188	color Camera
CP70-CM	C-Mount lens adapter
CP70-FM	F-Mount lens adapter
CP70-PTC	Pig tail cable for sync

## PERFORMANCE (EXAMPLES)

Resolution ( H x V)	Frames / second
4080 x 3072	188 fps
4080 x 2000	255 fps
1920 x 1080	465 fps
1280 x 720	689 fps
4080 x 32	8096 fps

## STANDARDS

Conformity (documents available on request)

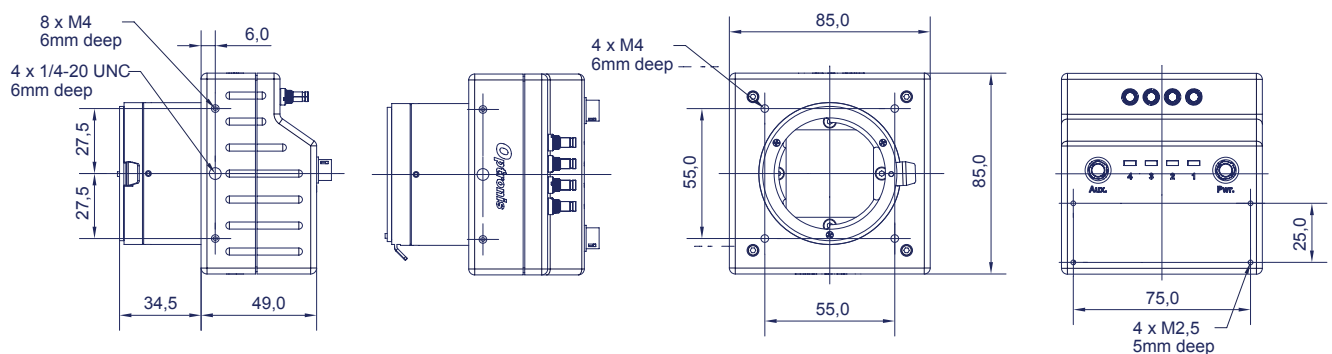
EMVA1288	Version 3.0
CoaXPress	Version 1.1
GenICam	Fully supported
Shock & Vibration	DIN EN 60721-3-2
ISO	9001:2015
Conformity	CE, RoHS



## SPECIFICATIONS

Sensor resolution	4080 x 3072 Faster frame rates with smaller Y window size
Frame rate @ max. sensor res.	188 fps
Image sensor	CMV12000 Global Shutter CMOS
Exposure time	28 µs - 1/Framerate
Active area	22.44 mm x 16.90 mm
Sensor diagonal dimension	28.09 mm
Pixel size	5.5 µm
A/D conversion	10 Bit, 8 Bit
Dynamic	60 dB
Sensitivity	4.64 V/lux*s @525 nm
Saturation capacity (FWC)	12300 e-
SNR	40.9 dB
DSNU1288	160 e-
PRNU1288	1.3 %
Non-linearity error	<0.5 %
Shutter efficiency	global electronic shutter
Trigger signal	TTL, 3.3 - 5 V, 10 mA, optically isolated
Trigger modes	internal free-run, external, CXP
Interface	CoaXPress (4 Channel, CXP-6) DIN 1.0/2.3 connectors 25 Gbit/s
Power	PoCXP (8.5 Watt)
Lens mount	F-Mount, C-Mount, M42 and custom
Weight	400 g without mount
Dimensions	85 mm x 85 mm x 49.0 mm (3D-Step file on request)
Housing	lightweight anodised aluminium
Scope of delivery	camera and manual

## TECHNICAL DRAWING



## CONTACT INFORMATION

Optronis GmbH  
Ludwigstraße 2  
77694 Kehl  
Germany

Phone: +49 7851 91 26 - 0  
Fax: +49 7851 91 26 - 10  
info@optronis.com  
www.optronis.com