

MACHINE VISION CAMERA

CamPerform

CP70-1-M/C-1000



- METROLOGY
- 2D/3D AOI
- INLINE INSPECTION

- 1000 fps with 1280x1024 pixels with 12 bit A/D conversion
- New DIN 1.0/2.3 connectors with thread lock
- CoaXPress interface with 25 Gbit/s
- Power and trigger via CoaXPress
- Monochrome and color sensor
- EMVA1288 standard

CamPerform CP70-1-M/C-1000

Optronis

Make time visible

MODEL OPTIONS

Article number	Description
CP70-1-M-1000	monochrome Camera
CP70-1-C-1000	color Camera
CP70-CM	C-Mount lens adapter
CP70-FM	F-Mount lens adapter
CP70-PTC	Pig tail cable for sync

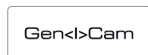
PERFORMANCE (EXAMPLES)

Resolution (H x V)	Frames / second
1280 x 1024	1051 fps
1280 x 720	1491 fps
640 x 480	2839 fps
256 x 256	5252 fps
448 x 4	119079 fps

STANDARDS

Conformity (documents available on request)

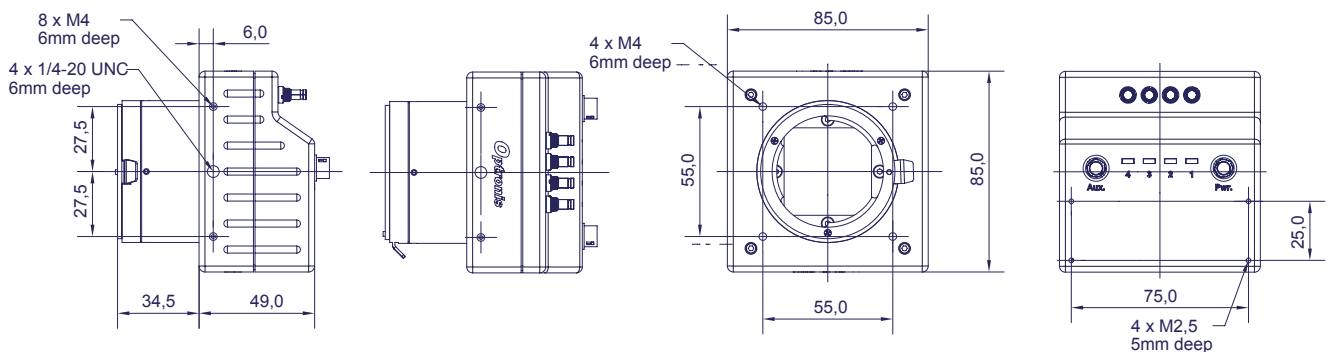
EMVA1288	Version 3.0
CoaXPress	Version 1.1
GenICam	Fully supported
Shock & Vibration	DIN EN 60721-3-2
ISO	9001:2015
Conformity	CE, RoHS



SPECIFICATIONS

Sensor resolution	1280 x 1024 Faster frame rates with smaller X,Y window size
Frame rate @ max. sensor res.	1051 fps
Image sensor	LUX1310 Global Shutter CMOS
Exposure time	2 µs - 1/Framerate
Active area	8.448 mm x 6.758 mm
Sensor diagonal dimension	10.818 mm
Pixel size	6.6 µm
A/D conversion	12 Bit, 8 Bit (LUT optional)
Dynamic	53.7 dB
Sensitivity	9,6 V/lux*s @525 nm
Gain	analog 1x, 2x, 4x
Saturation capacity (FWC)	17000 e-
SNR	45 dB
DSNU1288	57.5 e-
PRNU1288	1.27 %
Non-linearity error	<0.5 % (calibrated <0.2 %)
Shutter efficiency	global electronic shutter
Trigger signal	TTL, 3.3 - 5 V, 10 mA, optically isolated
Trigger modes	internal free-run, external, CXP
Interface	CoaXPress (4 Channel, CXP-6) DIN 1.0/2.3 connectors 25 Gbit/s
Power	PoCXP (8.5 Watt)
Lens mount	F-Mount, C-Mount, M42 and custom
Weight	400 g without mount
Dimensions	85 mm x 85 mm x 49.0 mm (3D-Step file on request)
Housing	lightweight anodised aluminium
Scope of delivery	camera and manual

TECHNICAL DRAWING



CONTACT INFORMATION

Optronis GmbH
Ludwigstraße 2
77694 Kehl
Germany

Phone: +49 7851 91 26 - 0
Fax: +49 7851 91 26 - 10
info@optronis.com
www.optronis.com

The information given herein is believed to be reliable, however Optronis makes no warranties as to its accuracy or completeness. Data sheet is subject to modifications at any time. 10/2016